

## CLEANING & MAINTENANCE

---

### CLEANING PANELS

After completion of the installation or for periodic maintenance, it may be necessary to clean panels.

Special attention should be paid to the north-facing sides of buildings, areas near trees or bushes, or walls that are shaded, as these often accumulate higher concentrations of organic dirt and moisture. Therefore, these areas may require additional maintenance.

When cleaning panels, use no more than 400 psi of water pressure at 10" to 12" away. Do not pressure wash Illumination panels.

To clean heavily soiled areas, a mild household detergent and/or soft bristle brush may be required.

Do not allow any detergent/cleaner to dry on panels. Rinse immediately after cleaning.

### PAINT TOUCH-UP

Touch up paint must be exterior grade 100% acrylic latex and can be color matched by taking a panel sample to your local paint or home improvement store.

One gallon of Illumination Series touch-up paint is supplied with your custom color panel order. Do not use for edge coating/sealing for larger projects.

Isolate touch-up locations with low-adhesive/ painter's tape. Where face fasteners have been used and patched by cementitious filler, use a cotton swab to lightly dab touch-up paint.

For scratches, use a cotton swab for small ones or 1" foam brush for longer ones, again using a dabbing motion rather than brushing in order to minimize the amount of paint applied.

---

### REMOVAL OF EXTERIOR ACRYLIC LATEX PAINT

*Wet Paint Removal* - While the paint is still wet, flush the area with clean water, using mild abrasion with a clean cloth or soft brush.

*Semi-Dry Paint Removal* - If paint has set, but not dried, flush and clean as above, followed by light scrubbing with alcohol to remove any remaining paint residue. Rinse with water and a clean cloth.

*Dry Paint Removal* - Please refer to paintremoval guide in the next section.

---

## OTHER PAINT & GRAFFITI REMOVAL

The following products have been tested on Nichiha panels to aid in the removal of graffiti type markings.\* These citrus-based products can also be used for basic panel cleaning purposes. The panels were sprayed with an indoor/outdoor aerosol spray paint and left to dry overnight, and then the paint removal products were applied following the manufacturer's guidelines.

All products tested achieved good results. However, the outcome may vary depending on the amount of paint that needs to be removed. Be sure to follow all manufacturer's guidelines and first test in an inconspicuous area before working on a larger area.

*Do NOT use these cleaners with Illumination Series. \*Nichiha is not liable for any damage caused by the use of these cleaners.*

### Citristrip

[www.citristrip.com](http://www.citristrip.com)

Products tested:

Citristrip Striping Gel - One Quart container

Citristrip Stripping Aerosol - 18 oz. spray can

### Goof Off Graffiti Remover

[www.goof-off.com](http://www.goof-off.com)

Products tested:

Goof Off Aerosol - 16 oz. spray can

Goof Off - 22 oz. trigger spray bottle

### Tagaway

[www.tagaway.com](http://www.tagaway.com)

Product tested:

Tagaway - 32 oz. trigger spray bottle

### Zinsser

[www.zinsser.com](http://www.zinsser.com)

Product tested:

Zinsser Graffiti Remover and Stripper - 16 oz. trigger spray bottle

---

## MINOR REPAIRS

Isolate the blemish with a low adhesive tape such as painters tape. This will help protect the surrounding area of the panel and aide in creating a more polished, clean repair. Lightly brush/abrade the surface within the taped off area in order to remove any loose material.

Carefully fill and smooth the resultant prepped area with cementitious patching material such as MH Ready Patch. Allow to dry/cure fully.

Gently smooth the patch and then apply touch-up paint to the affected area with a cotton swab. Allow touch-up paint to dry and remove the tape.

## PANEL REPLACEMENT

Set the depth of the circular saw blade slightly deeper than the panel so the saw blade does not cut into the building wrap or sheathing.

Make additional cuts into the damaged panel and break into pieces for easier removal of the damaged panel. *(Figure 49)*

Remove damaged panel. *(Figure 50)*

Cut 3/16" off back side ship-lapped edge at bottom of panel.\* *(Figure 51)*

If necessary, cut the panel to the appropriate width.

Use a 10mm Corrugated Spacer and place it behind the new panel at bottom, just above exposed Panel Clips or Starter Track.

Prepare to set the new panel in place.

Lift panel into place by prying from the bottom upward. Pre-drill and face fasten panel with a screw into the framing members, 2" from panel bottom. *(Figure 52)*

Patch countersunk face fasteners per the *Last Course* section.

*\*If panel to be replaced is at the top course or under a window, cut top edge of panel as needed and leave bottom shiplap intact. Add Spacer at top of uncovered wall space.*

Fig. 49

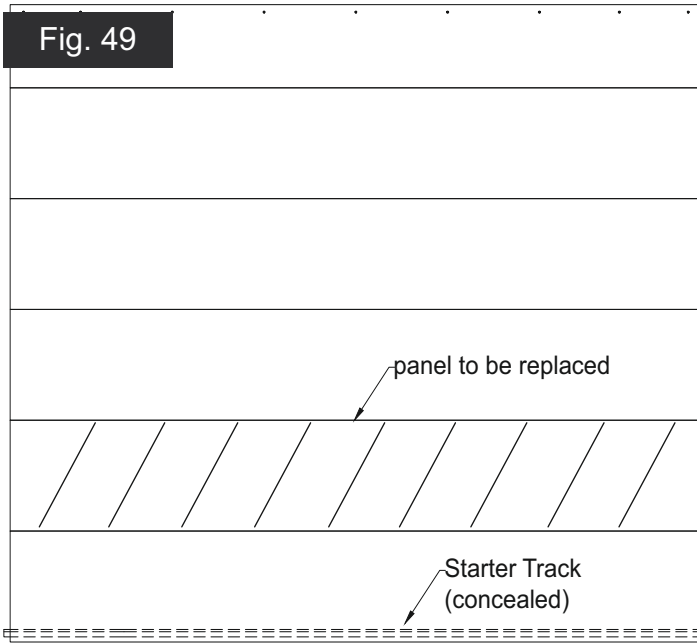


Fig. 51

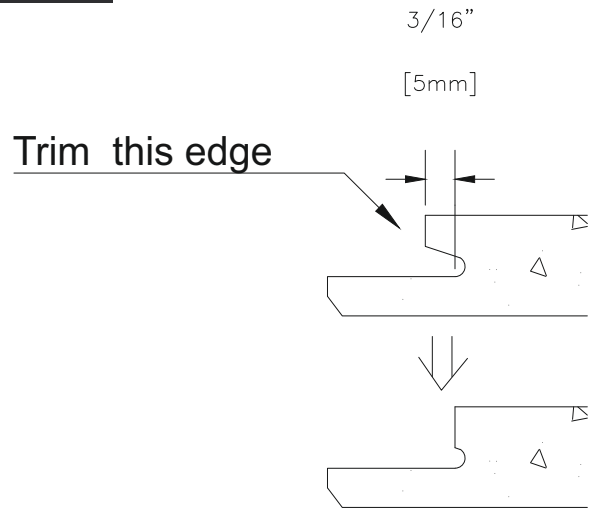


Fig. 50

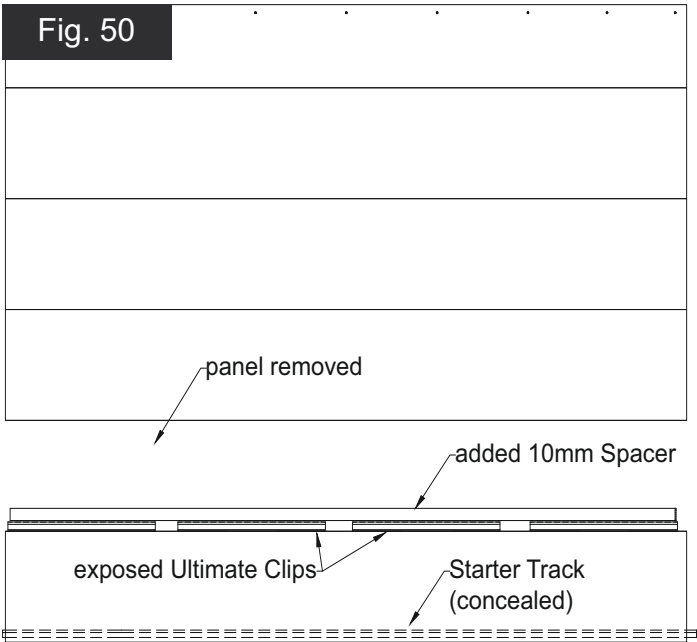


Fig. 52

