

## Installation detail

### 1 - 1 Nichiha Design Cement Panel - Horizontal Wood furring strip

- 1) Overview
- 2) Base
- 3) Horizontal junction
- 4) Vertical junction
  - 1 Sealant
  - 2 Aluminium Vertical Joint Trim
- 5) Internal corner
  - 1 Sealant
  - 2 Aluminium Corner Trim
- 6) External corner
  - 1 Pre-formed Corner
  - 2 Aluminium Corner trim
  - 3 Obtuse external corner
- 7) Opennings
  - 1 Top
  - 2 Bottom
  - 3 Sides
- 8) Soffit
- 9) Overhang
- 10) Junction with roofing
  - 1 Top end
  - 2 Slooped side end
- 11) Balcony parapet

EX

16 × 455 × 3030 mm

Wood furring strip



5mm Clip



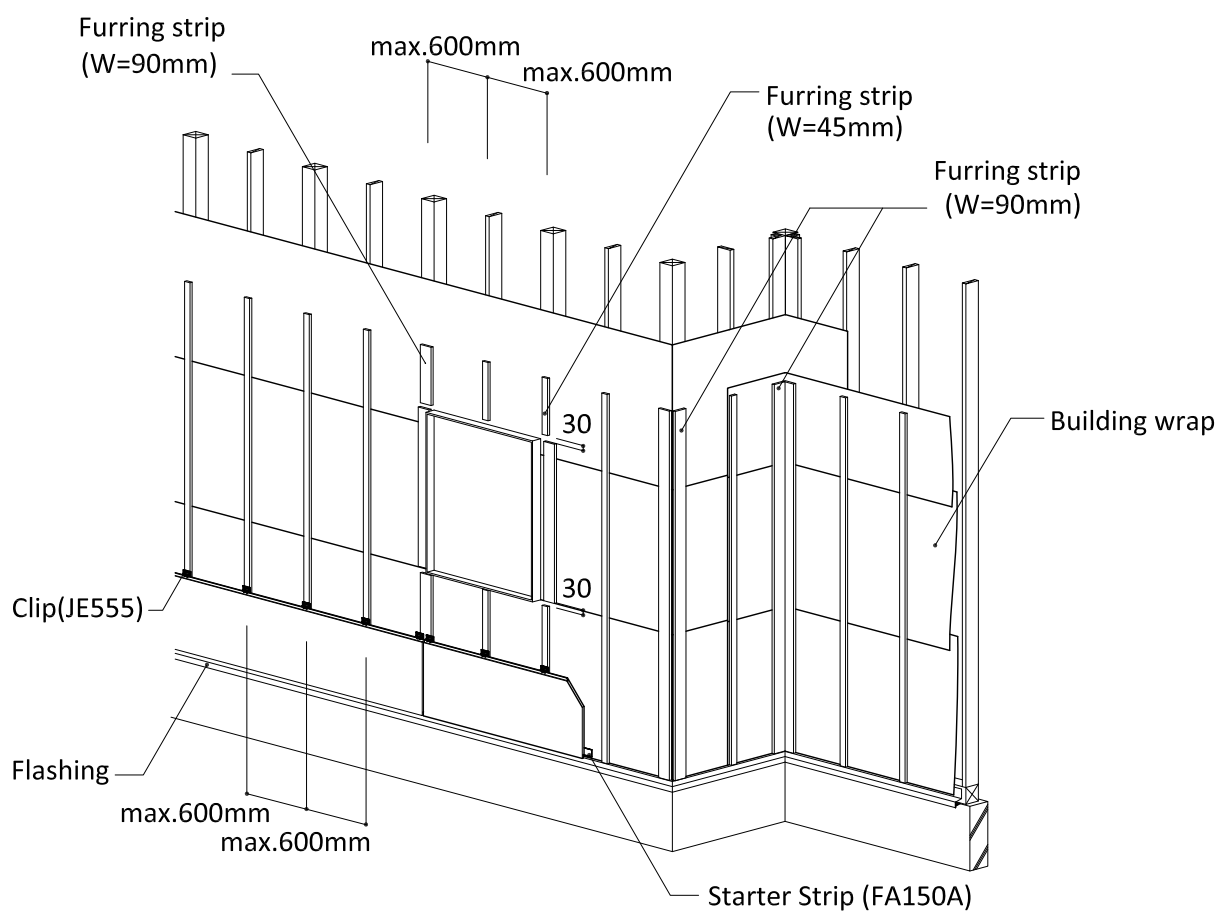
Wood furring strip

Horizontal



## 1) Overview

- Install flashing over the building wrap before setting the furring strip.
- Use 20mm thicker dried timber for furring strip in the figure below.
- The furring strip width should be at least 45mm, but for specific parts such as external corners, internal corners and openings the width should be 90mm or wider.
- Set furring strips with 65mm or longer nails or  $\phi 3.8 \times 50$ mm or longer screws at max. 600mm centres.
- Unevenness of the furring strip surface must be no more than 3mm. Use spacers if necessary.
- Leave a 30mm gap between openings and horizontal furring strip to ensure proper ventilation.



EX

16 × 455 × 3030 mm

Wood furring strip



5mm Clip



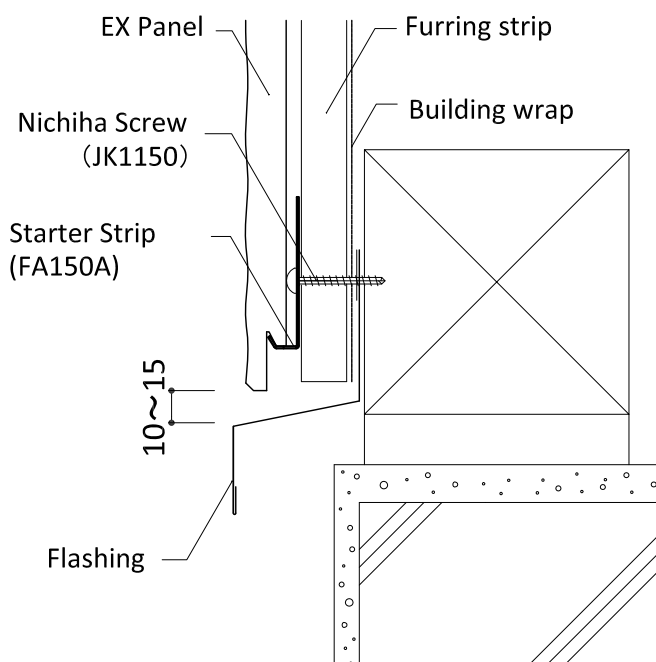
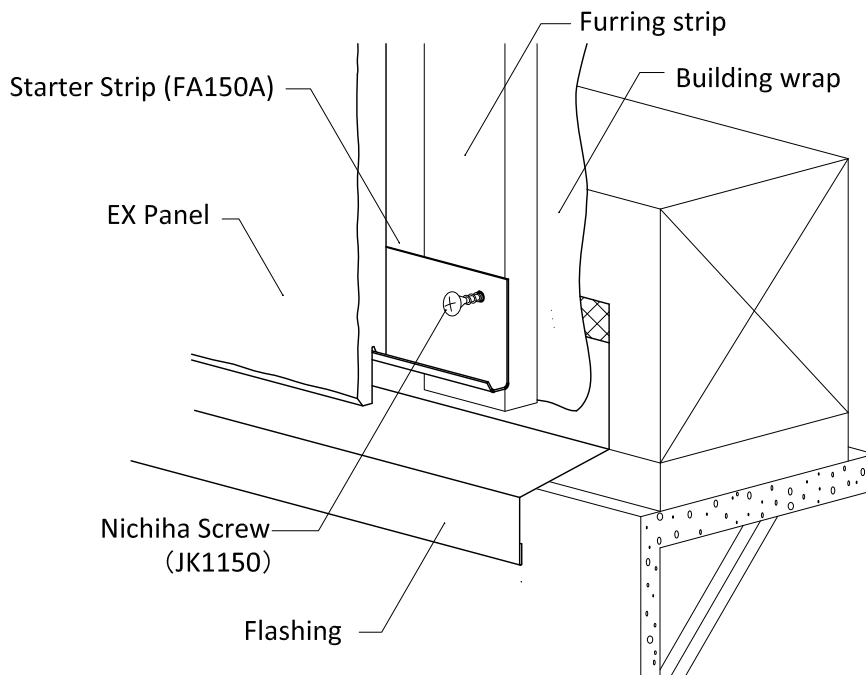
Wood furring strip

Horizontal

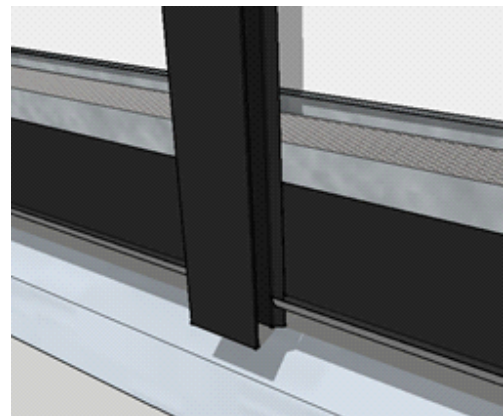


## 2) Base

- Install the flashing to the base by screws. Flashing must be level and should be fastened at max.600mm centres.
- Starter Strip should be fixed by Nichiha Screws at every furring strips position.(intervals at max.600mm centres.)  
DO NOT USE NAILS.
- Leave 10~15mm space between the flashing and the bottom edge of panel.



<In case of using Aluminium Joint Trim>



Where the Aluminum Joint Trim meets the Starter Strip, the Starter Strip should be cut 25mm from the lip to allow the Aluminum Joint Trim to descend 15mm below the Starter Strip. For the corner trim, the Starter Strip is cut 50mm.

EX

16 × 455 × 3030 mm

Wood furring strip



5mm Clip



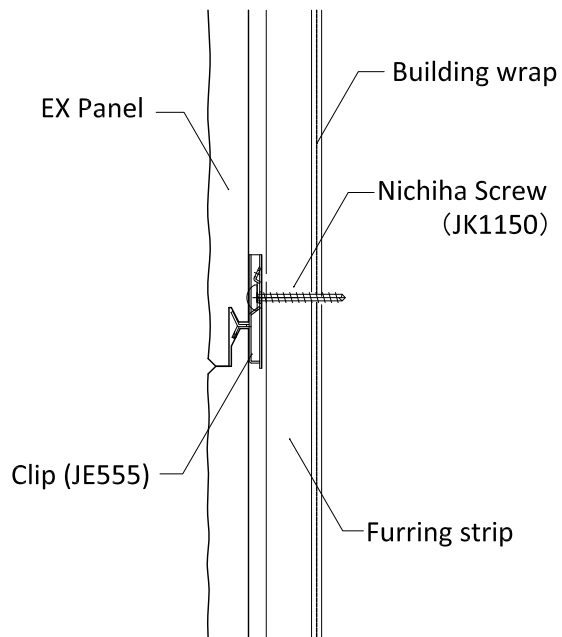
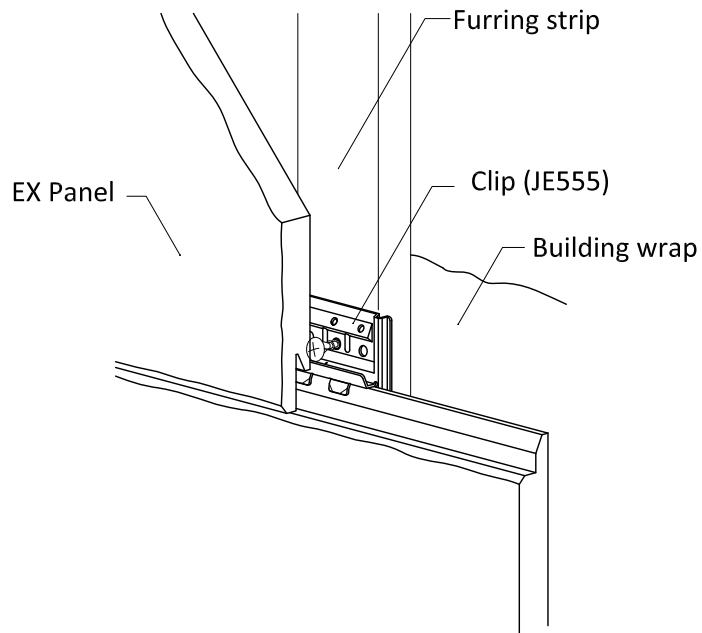
Wood furring strip

Horizontal



### 3) Horizontal junction

- The clip must be tightly inserted into the panel tongue and fixed with Nichiha Screw .



EX

16 × 455 × 3030 mm

Wood furring strip



5mm Clip



Wood furring strip

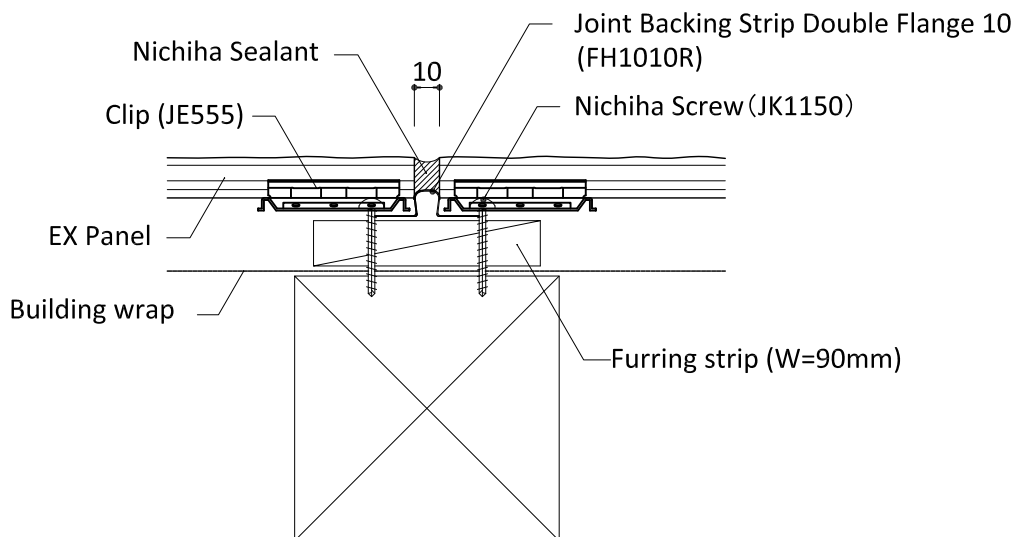
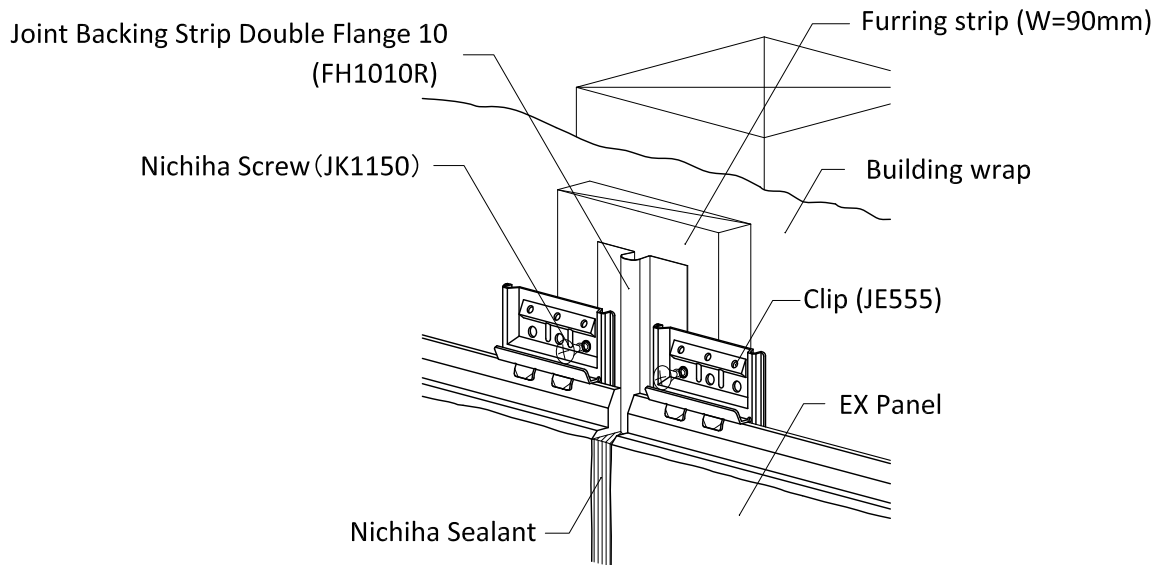
Horizontal



### 4)-1 Vertical junction

### Sealant

- Use Joint Backing Strip Double Flange 10 behind of the vertical junction. It keeps 10mm space between the panels.
- The clip must be tightly inserted into the panel tongue and fixed with Nichiha Screw .
- Use masking tape for the protection of the panel surface, apply Nichiha Primer (FCP1) to the panel edges, and fill panel joint with Nichiha Sealant.



EX

16 × 455 × 3030 mm

Wood furring strip



5mm Clip



Wood furring strip

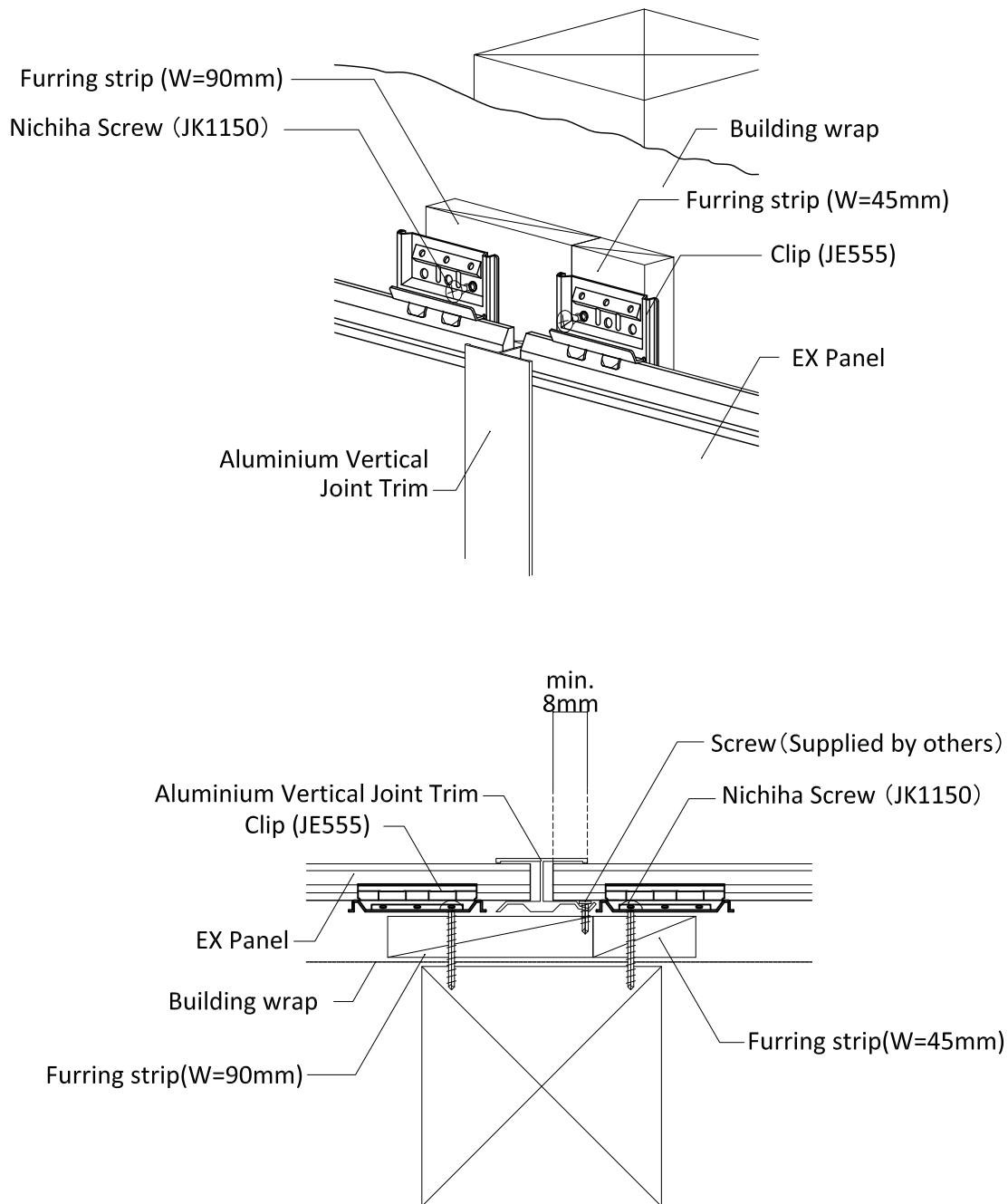
Horizontal



## 4)-2 Vertical junction

## Aluminium Vertical Joint Trim

- Install Aluminium Vertical Joint Trim by using screws.
- Panels must be at least 8mm inserted into Aluminium Vertical Joint Trim.
- The clip must be tightly inserted into the panel tongue and fixed with Nichiha Screw .



EX

16 × 455 × 3030 mm

Wood furring strip

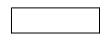


5mm Clip



Wood furring strip

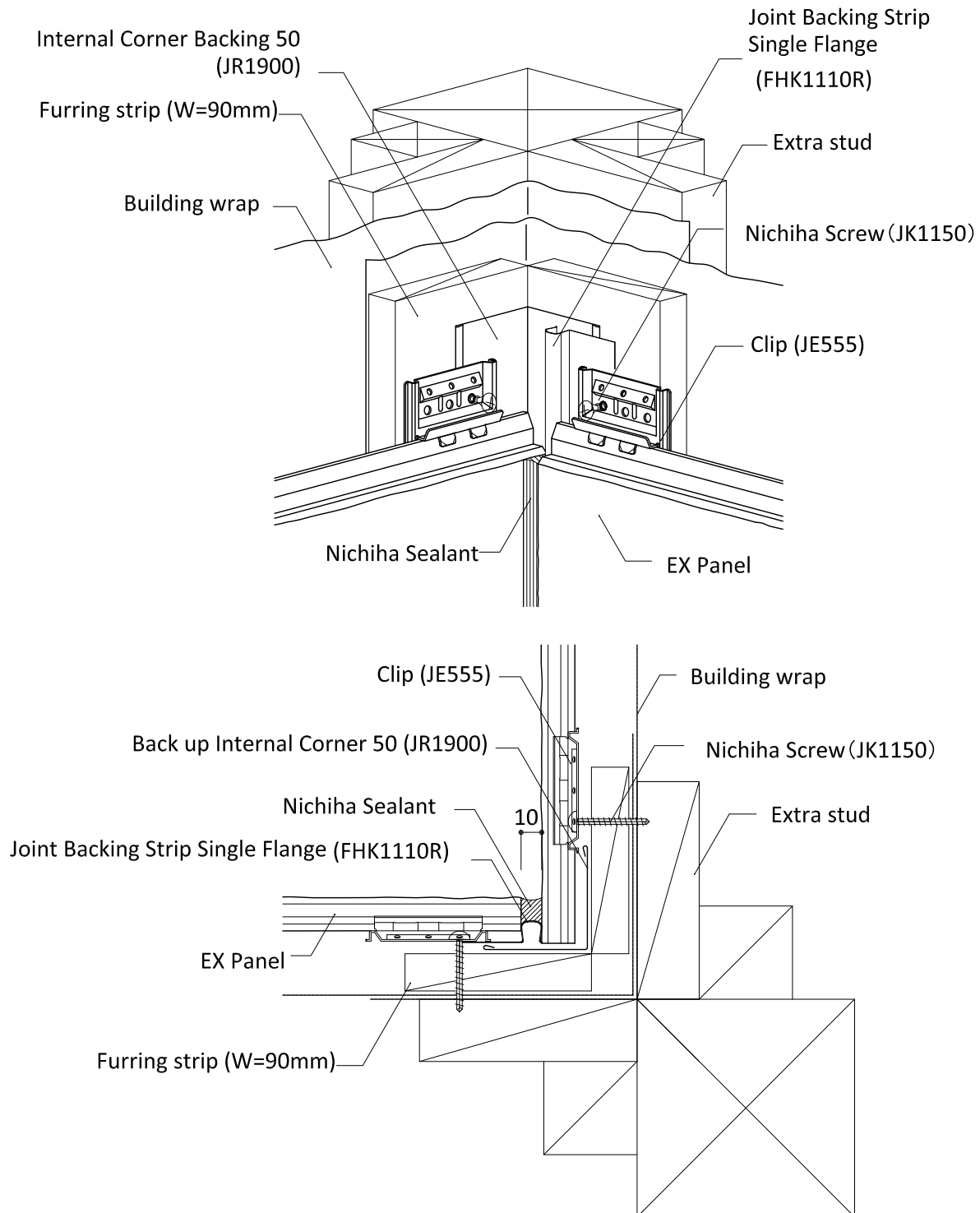
Horizontal



### 5)-1 Internal Corner

### Sealant

- Extra studs shall be added for furring strip attachment if necessary.
- Install Internal Corner Backing 50 , and Install Joint Backing Strip Single Flange 10, and install the panels. It keeps 10mm space as shown below.
- The clip must be tightly inserted into the panel tongue and fixed with Nichiha Screw .
- Use masking tape for the protection of the panel surface, apply Nichiha Primer (FCP1) to the panel edges, and fill panel joint with Nichiha Sealant.



EX

16 × 455 × 3030 mm

Wood furring strip



5mm Clip



Wood furring strip

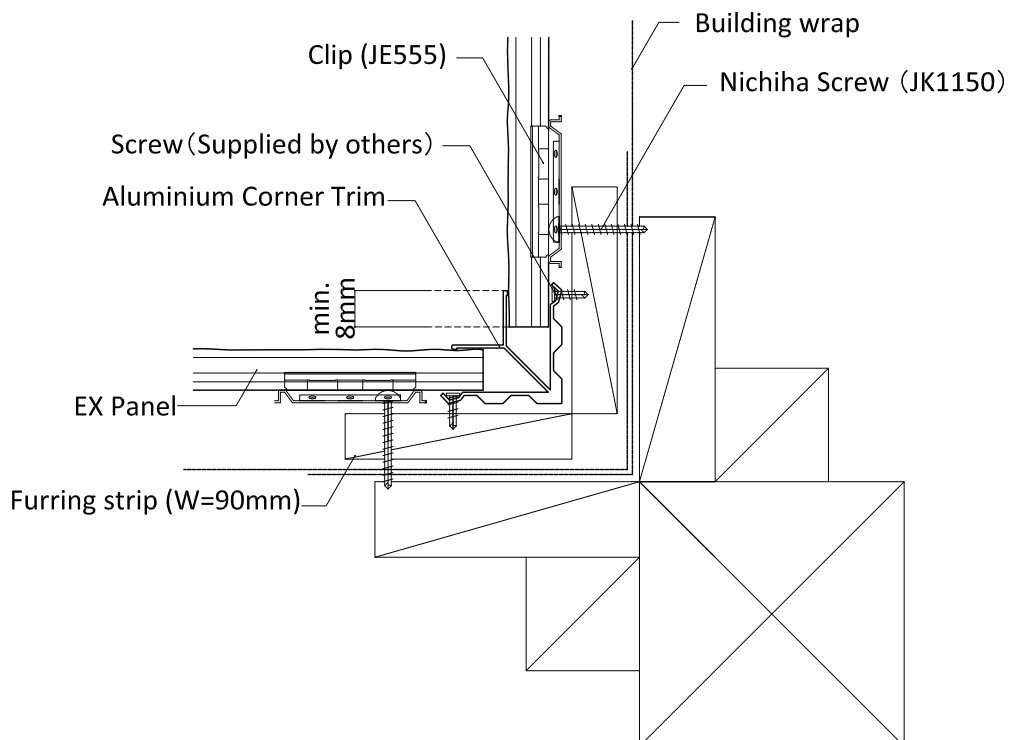
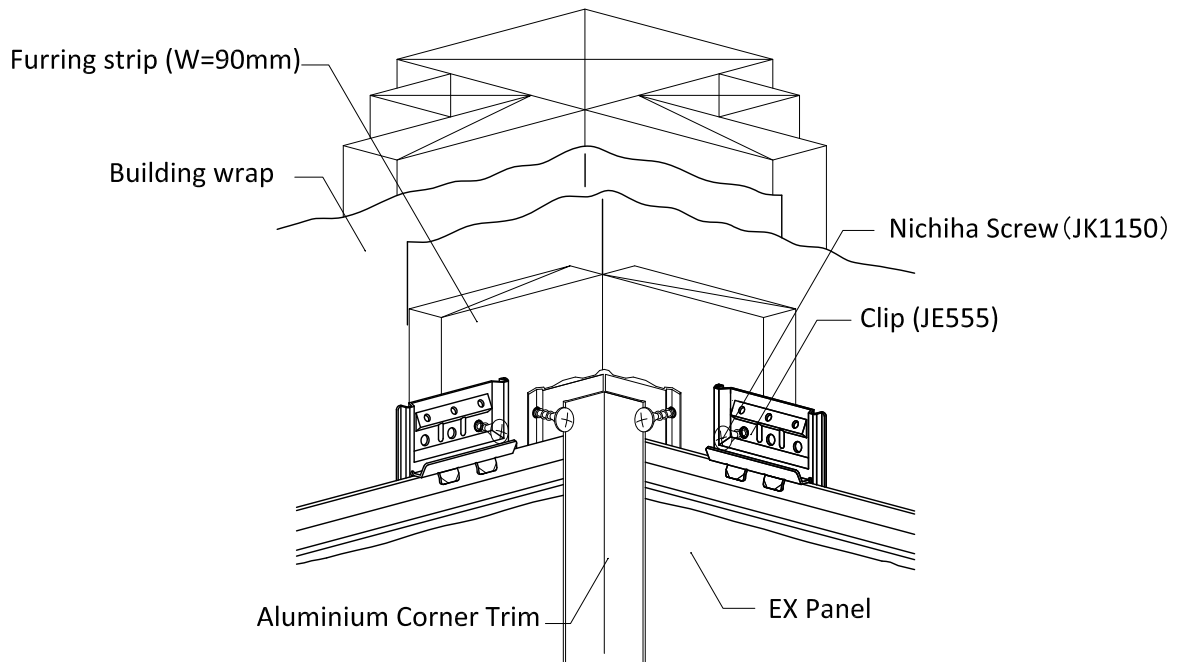
Horizontal



## 5)-2 Internal Corner

## Aluminium Corner Trim

- Extra studs shall be added for furring strip attachment if necessary.
- Install Aluminium Corner Trim by using screws.
- Panels must be at least 8mm inserted into Aluminium Corner Trim.
- The clip must be tightly inserted into the panel tongue and fixed with Nichiha Screw .





EX

16 × 455 × 3030 mm

Wood furring strip



5mm Clip



Wood furring strip

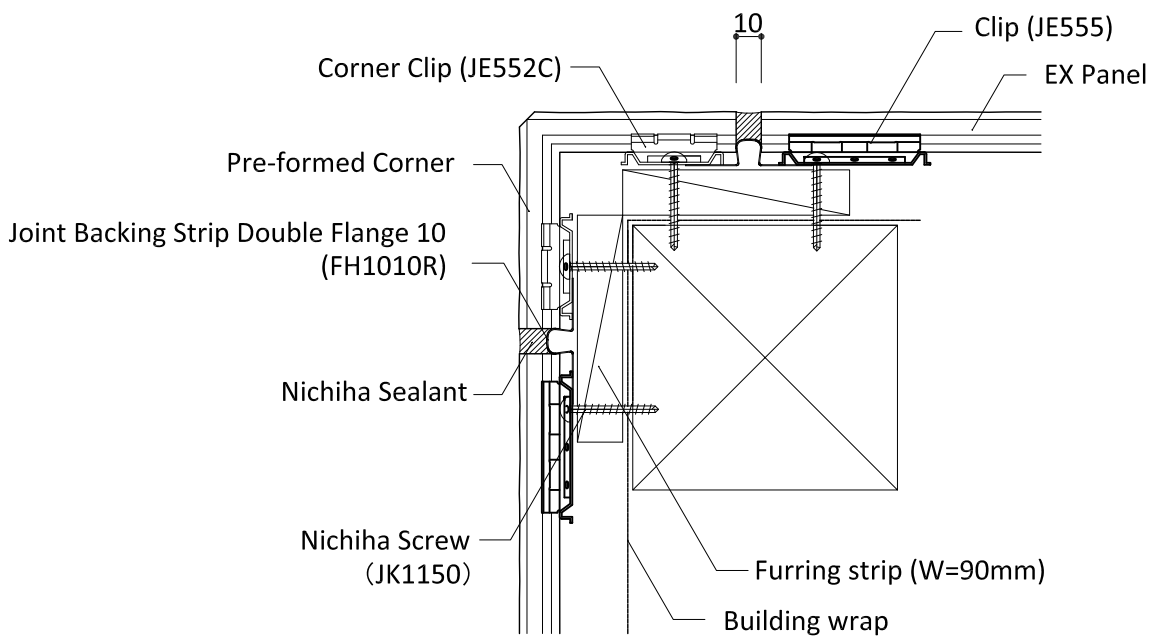
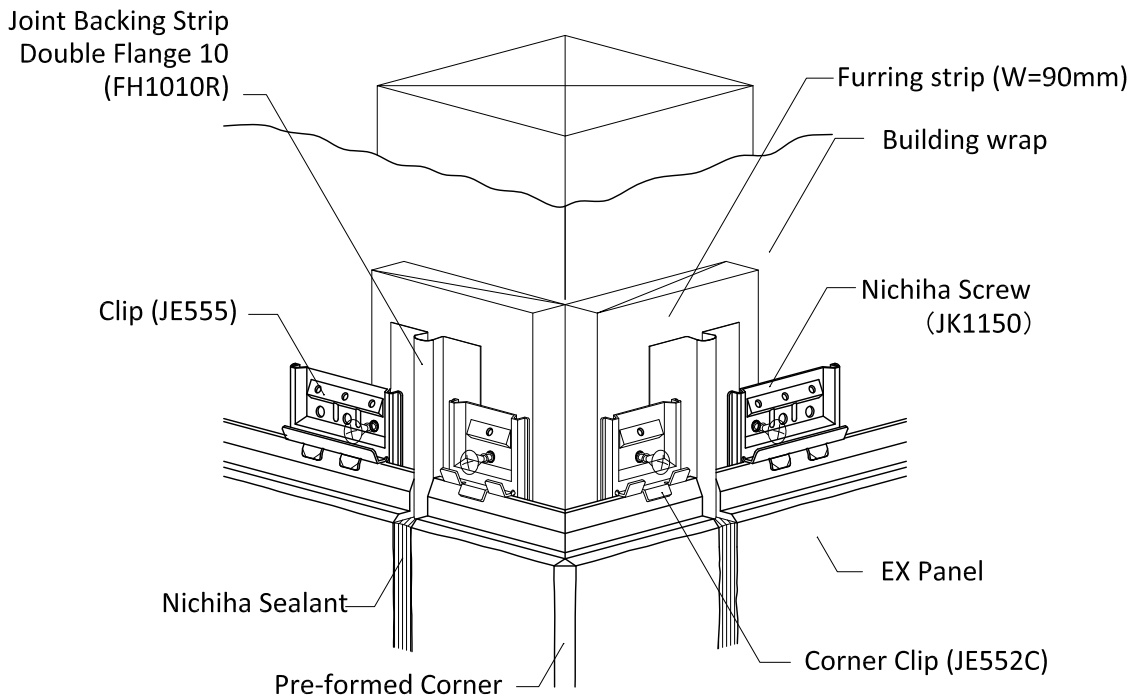
Horizontal



### 6)-1 External Corner

### Pre-formed Corner

- Use Corner Clips to install Pre-formed Corner.
- The clip must be tightly inserted into the panel tongue and fixed with Nichiha Screw .
- Joint Backing Strip Double Flange 10 must be used between Pre-formed Corner and EX Panel. It keeps 10mm space between for sealant.
- Use masking tape for the protection of the panel surface, apply Nichiha Primer (FCP1) to the panel edges, and fill panel joint with Nichiha Sealant.



EX

16 × 455 × 3030 mm

Wood furring strip



5mm Clip



Wood furring strip

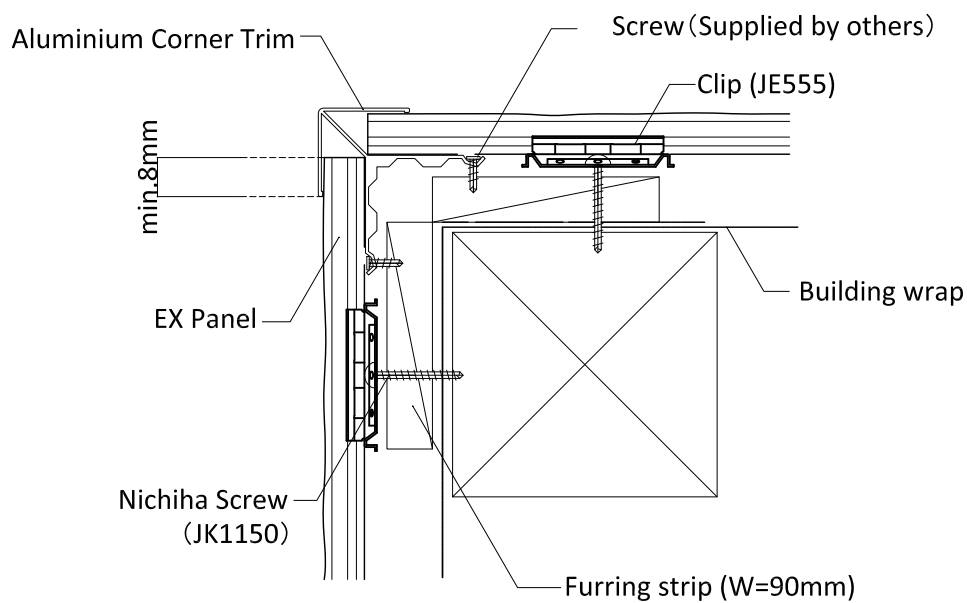
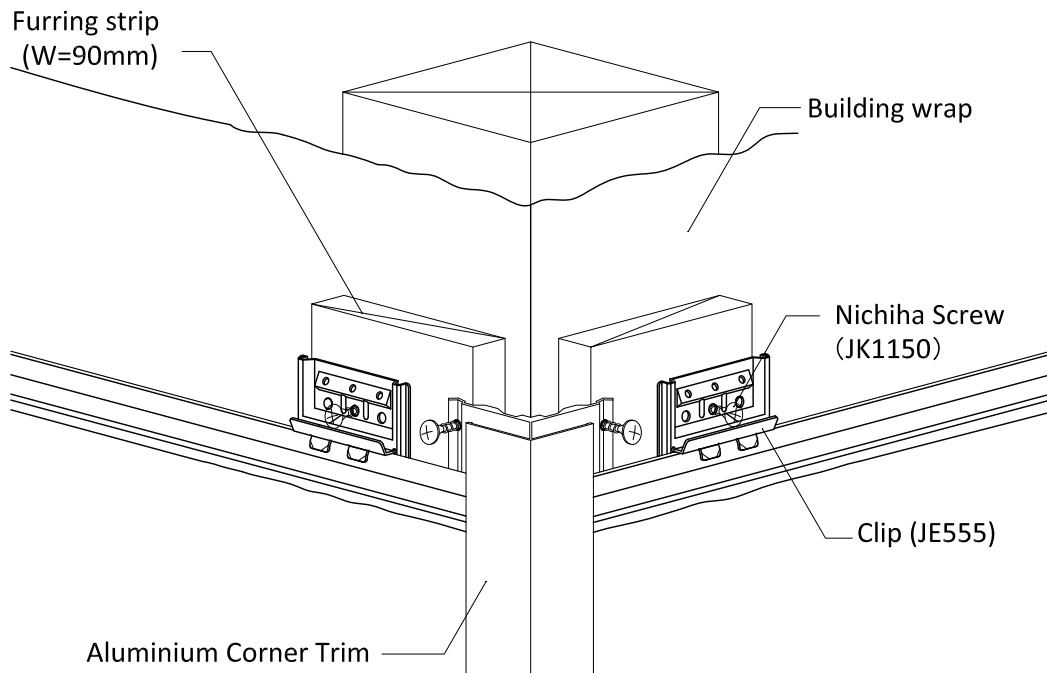
Horizontal



## 6)-2 External Corner

## Aluminium Corner Trim

- Install Aluminium Corner Trim by using screws.
- Panels must be at least 8mm inserted into Aluminium Corner Trim.
- The clip must be tightly inserted into the panel tongue and fixed with Nichiha Screw .



EX

16 × 455 × 3030 mm

Wood furring strip



5mm Clip



Wood furring strip

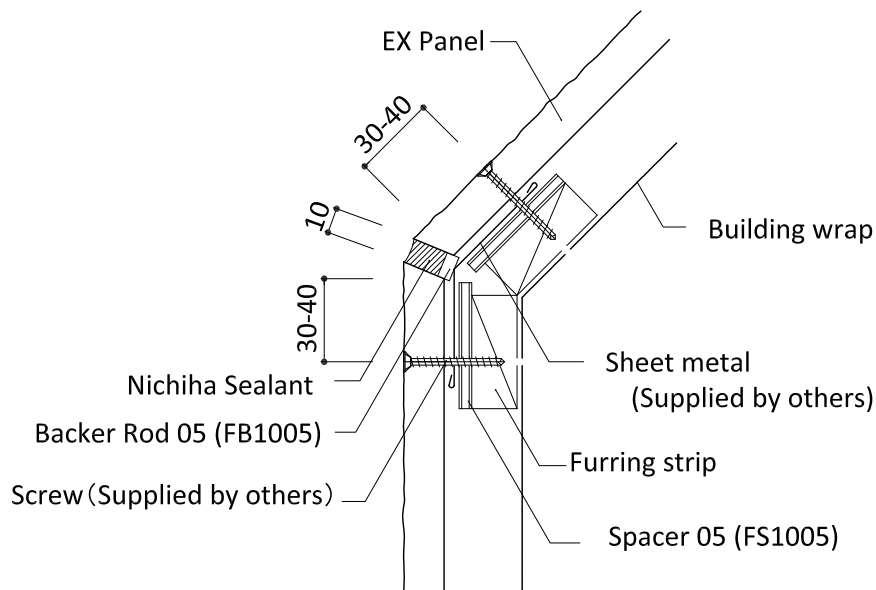
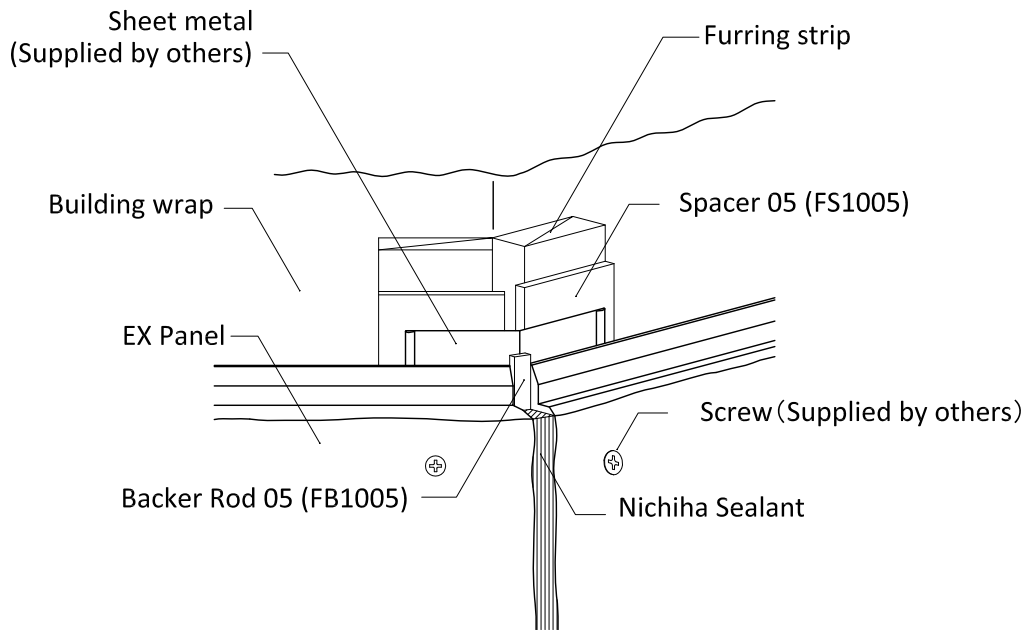
Horizontal



### 6)-3 External Corner

### Obtuse external corner

- Install Spacer 05 on the furring strip , and Install the sheet metal(Supplied by others).
- Install the panel with screws(4φx40mm).
- 10mm space must be kept in between the panels, and Backer Rod 05 shall be installed into it.
- Use masking tape for the protection of the panel surface, apply Nichiha Primer (FCP1) to the panel edges, and fill panel joint with Nichiha Sealant.



**Note**

Use smallest amount of touch-up paint for the screw head.

EX

16 × 455 × 3030 mm

Wood furring strip



5mm Clip



Wood furring strip

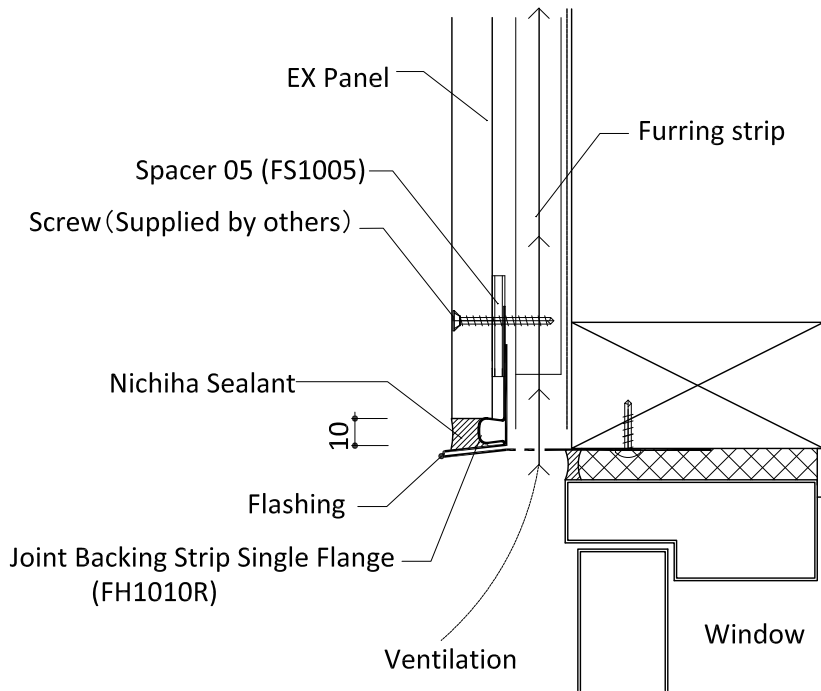
Horizontal



### 7)-1 Openings

### Top

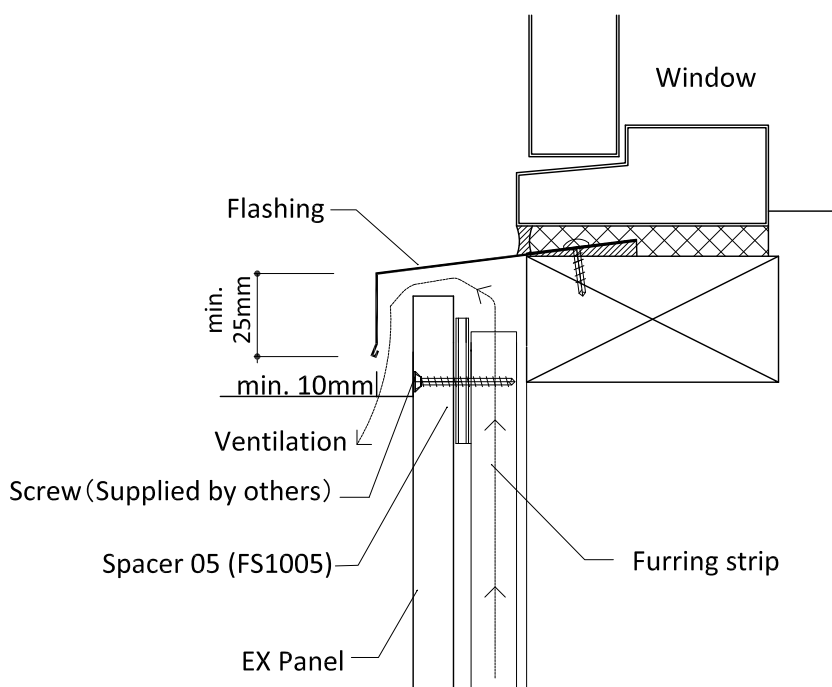
- Install flashing at openings top and then Install Joint Backing Strip Single Flange 10 to leave 10mm space for sealant.
- Panel shall be installed after installing Spacer 05 by using screws(4φx40mm).
- Use masking tape for the protection of the panel surface, apply Nichiha Primer (FCP1) to the panel edges, and fill panel joint with Nichiha Sealant.



### 7)-2 Openings

### Bottom

- Panel shall be installed after installing Spacer 05 by using screws(4φx40mm).



**Note**

Use smallest amount of touch-up paint for the screw head.

EX

16 × 455 × 3030 mm


Wood furring strip



5mm Clip



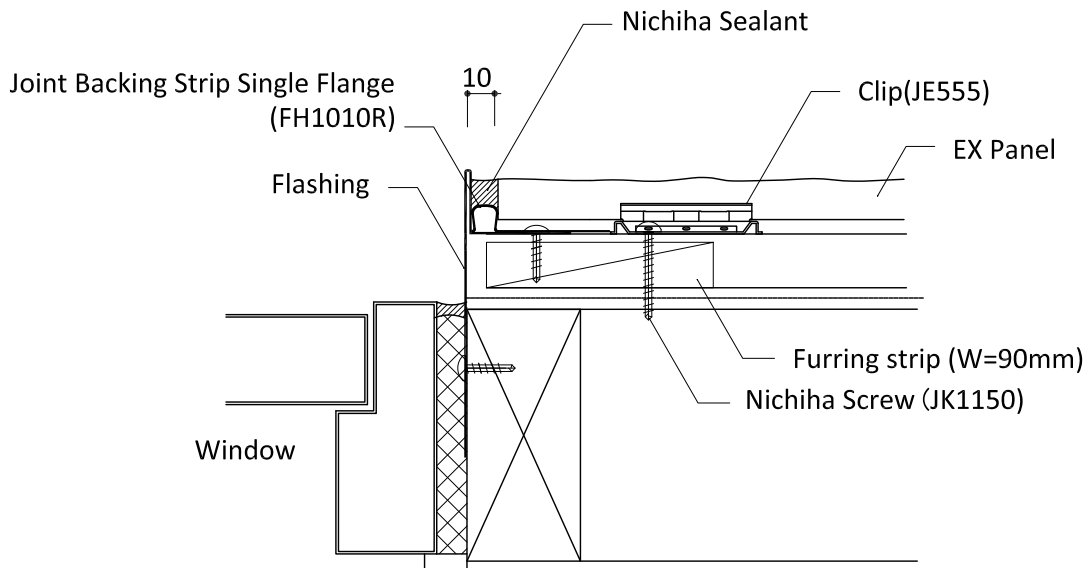
Wood furring strip

Horizontal 

## 7)-3 Openings

## Sides

- Install flashing at openings top and then install Joint Backing Strip Single Flange 10 to leave 10mm space for sealant.
- Panel shall be installed after Installing Spacer 05 by using Nichiha Screws.
- Use masking tape for the protection of the panel surface, apply Nichiha Primer (FCP1) to the panel edges, and fill panel joint with Nichiha Sealant.



EX

16 × 455 × 3030 mm

Wood furring strip

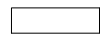


5mm Clip



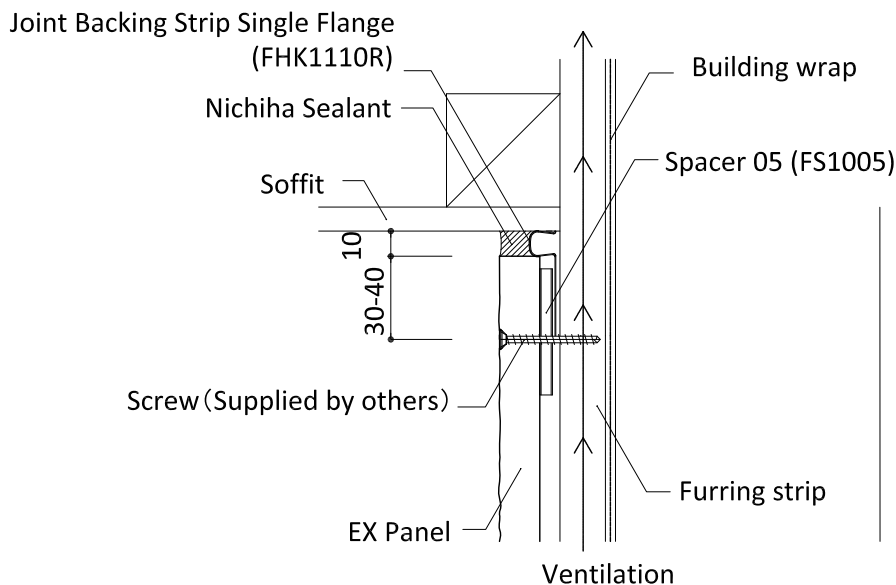
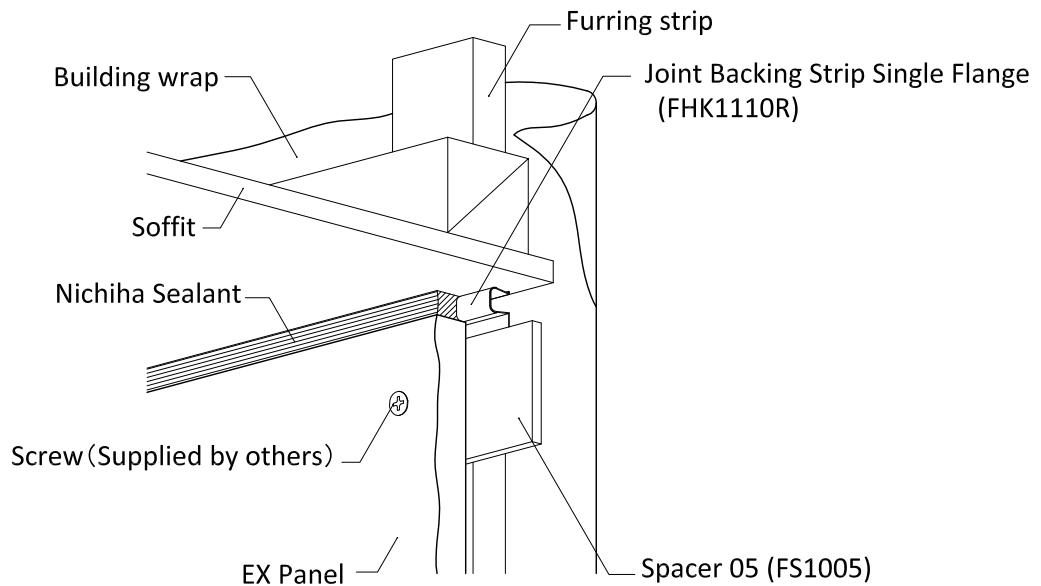
Wood furring strip

Horizontal



## 8) Soffit

- In order to secure the ventilation to the attic space, install building wrap and furring prior to installing the soffit.
- Install Joint Backing Strip Single Flange 10 prior to installing the soffit and panel, in order to leave the 10mm space for sealant.
- After installing Spacer 05, install the panels by using screws(4φx40mm).
- Use masking tape for the protection of the panel surface, apply Nichiha Primer (FCP1) to the panel edges, and fill panel joint with Nichiha Sealant.



### Note

Use smallest amount of touch-up paint for the screw head.

EX

16 × 455 × 3030 mm

Wood furring strip

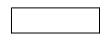


5mm Clip



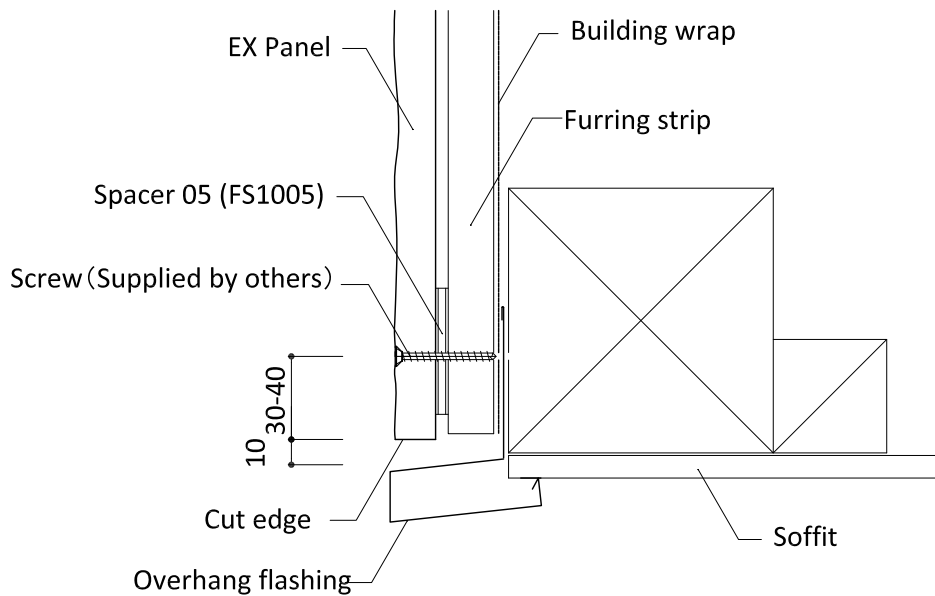
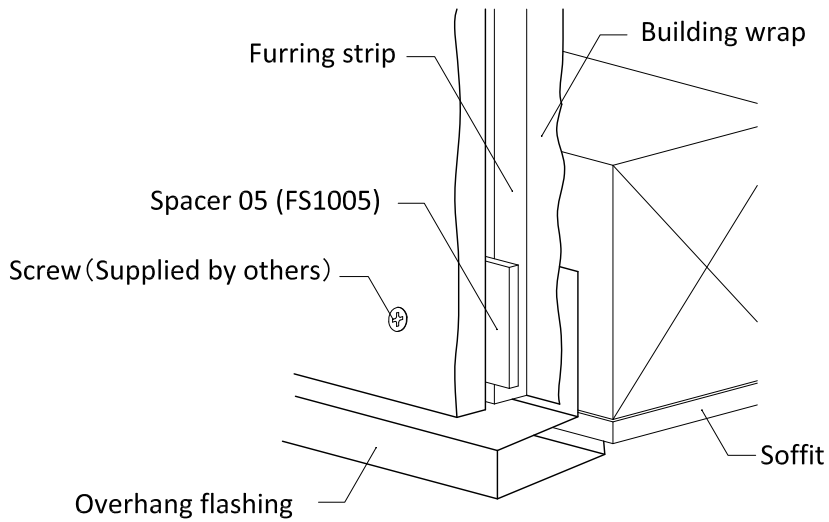
Wood furring strip

Horizontal



## 9) Overhang

- Install the overhang flashing first, then overlap building wrap to the top edge of the flashing.
- Leave 10 mm space in between the bottom of panel and the flashing.
- Panel shall be installed after installing Spacer 05 by using screws(4φx40mm).



### Cut Edge

All surface without sealant should be applied by Primer for at least twice. (Apply second layer after the first layer is dried).

### Note

Use smallest amount of touch-up paint for the screw head.

EX

16 × 455 × 3030 mm

Wood furring strip



5mm Clip



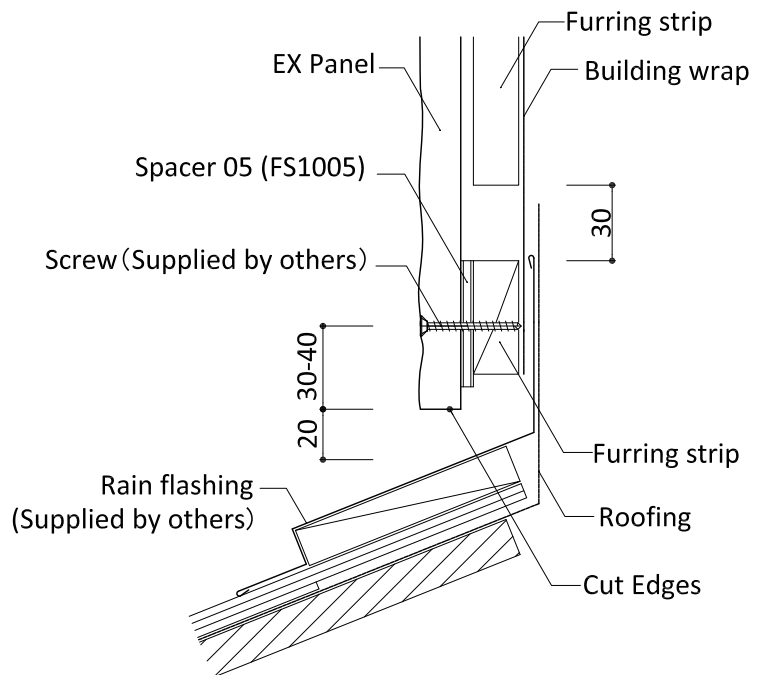
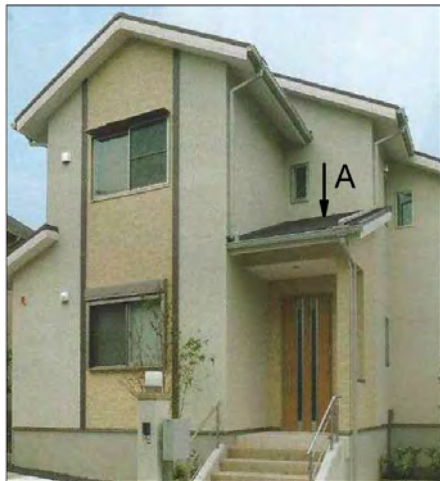
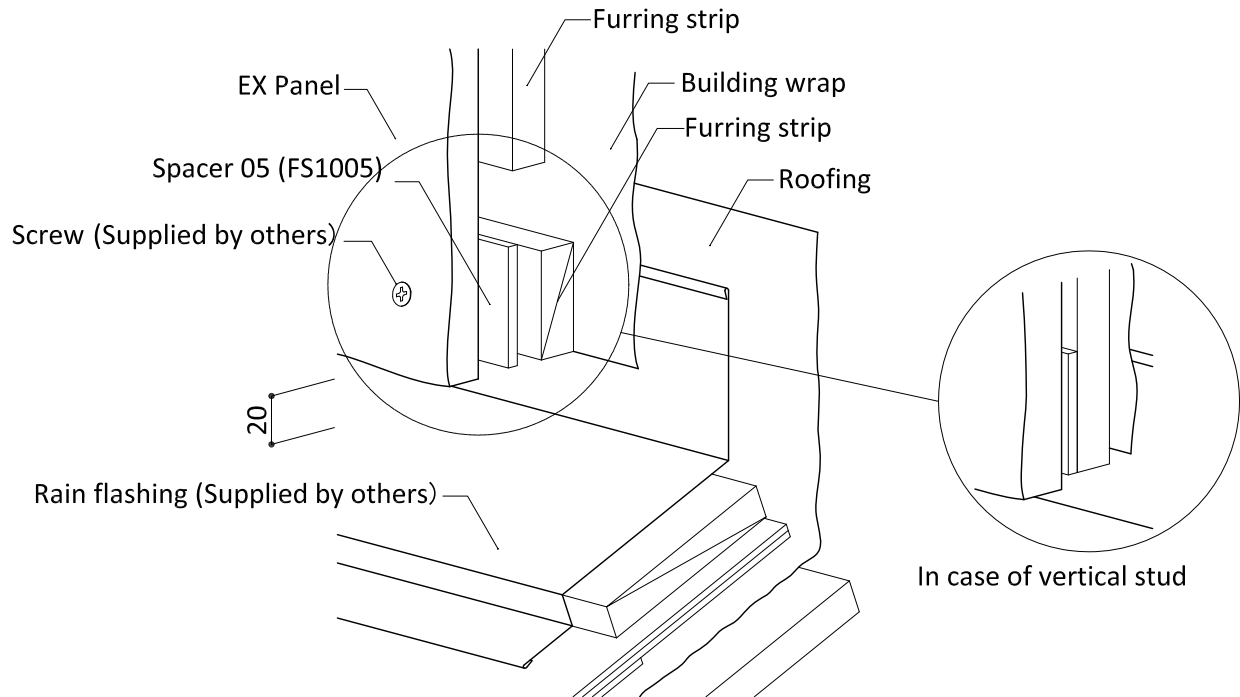
Wood furring strip

Horizontal

### 10)-1 Junction with roofing

### Top end

- Install Spacer 05 as per the figure shown below. Leave 20mm between the bottom of the panel and roof flashing. Fasten lower end of panel by using screws(4φx40mm).



#### Cut Edge

All surface without sealant should be applied by Primer for at least twice. (Apply second layer after the first layer is dried).

#### Note

Use smallest amount of touch-up paint for the screw head.



EX

16 × 455 × 3030 mm

Wood furring strip



5mm Clip



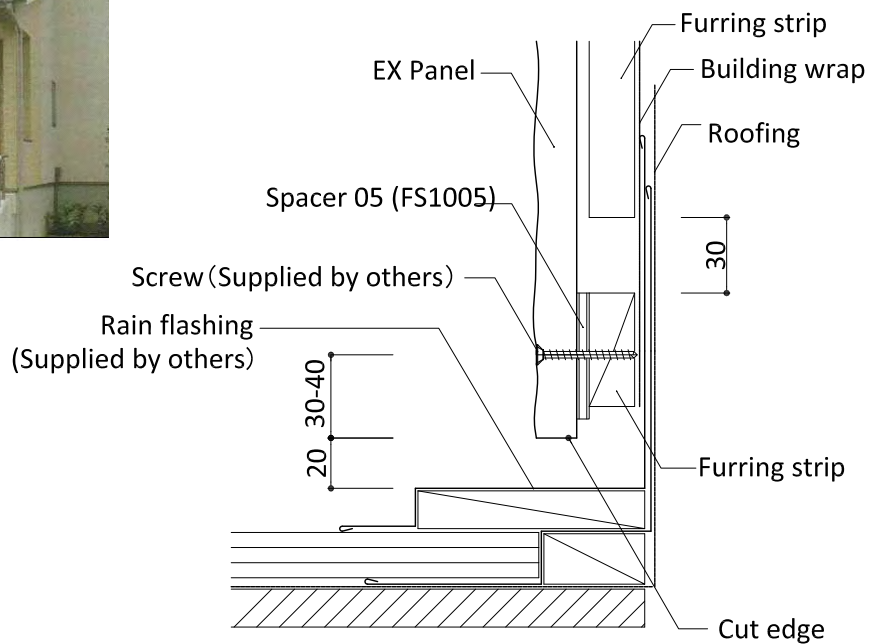
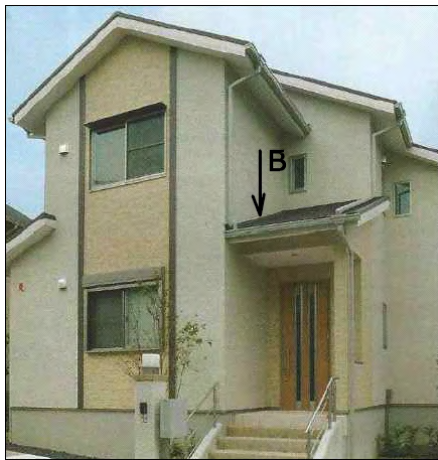
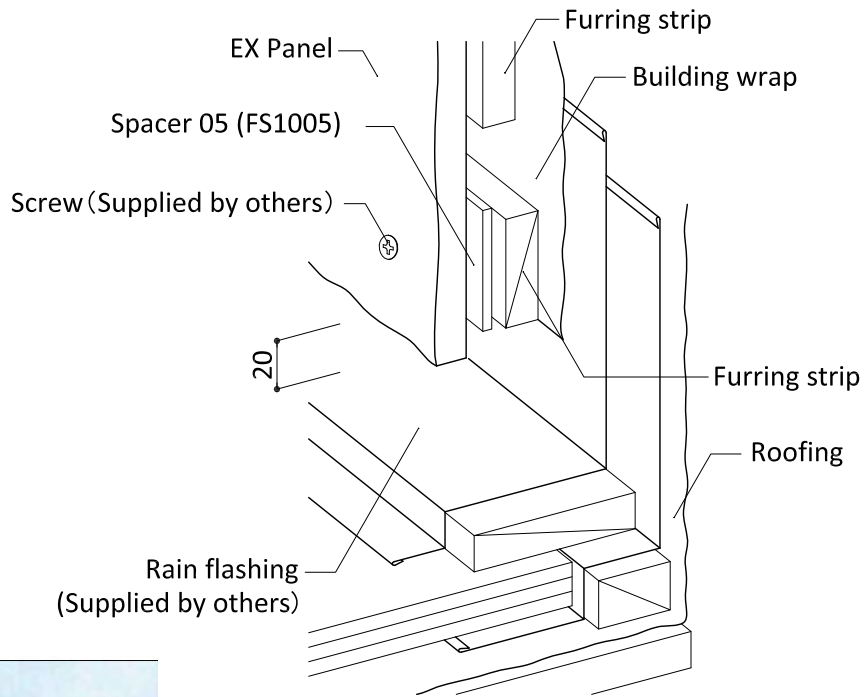
Wood furring strip

Horizontal

### 10)-2 Junction with roofing

### Sloped side end

- Install spacer 05 as per the figure shown below. Leave 20mm between the bottom of the panel and roof flashing. Fasten lower end of panel by screws(4φx40mm).



#### Cut Edge

All surface without sealant should be applied by Primer for at least twice. (Apply second layer after the first layer is dried).

#### Note

Use smallest amount of touch-up paint for the screw head.

EX

16 × 455 × 3030 mm

Wood furring strip



5mm Clip



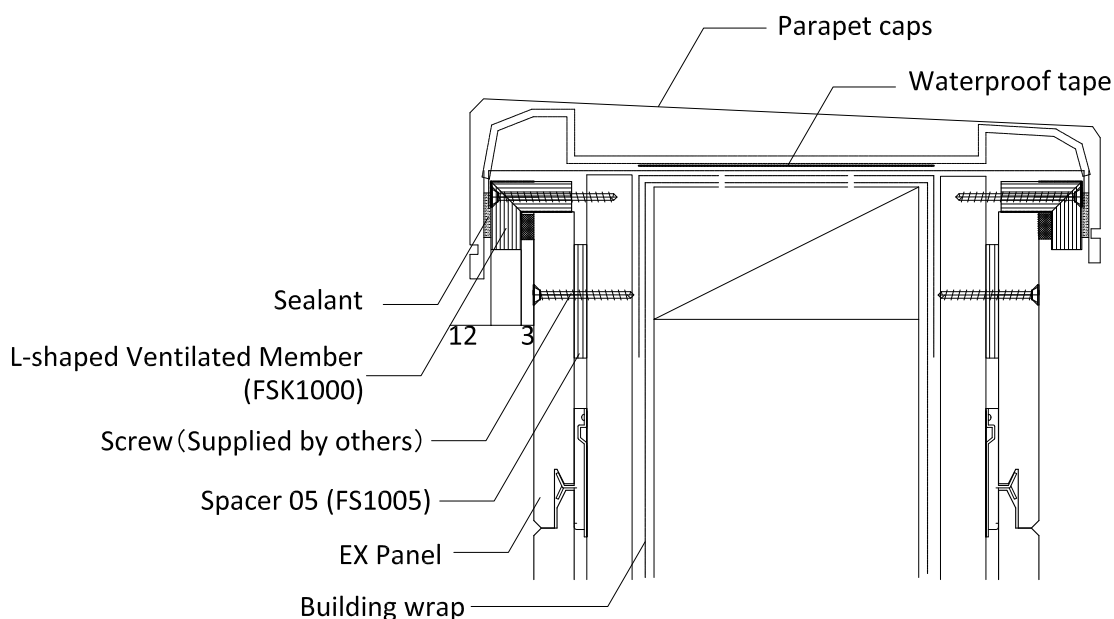
Wood furring strip

Horizontal



## 11) Balcony parapet

- Set furring strips over building lap.
- Install EX Panel with 12mm gap between the top of panels and the top of furring strips to attach L-shape Ventilated Member.
- Install L-shape Ventilated Member, which should be fixed with min. 2 screws or double sided waterproof tape per piece, pushing EPDM onto the panel surface. L-shape Ventilated Member should be butt-jointed, and then the joint should be covered with double-sided waterproof tape. Strip peeling paper from adhesive tape.
- Install building lap over the L-shape Ventilated Member and attach to the adhesive tape.
- Install parapet caps.
- Fill the gap between parapet caps and the L-shape Ventilated Member with blinded sealant.



### Procedure

