

6 – 3 Detailed view for Installation (EX,S,Fu-ge/16mm,18mm) Wooden framework – Horizontal Installation /5mm Clip

1) Overview	455mm × 3, 030mm
2) Main Member	455mm × 3, 030mm
3) Overview	455mm × 1, 818mm、455 × 1, 820mm
4) Main Member	455mm × 1, 818mm、455 × 1, 820mm
5) Base	
6) Horizontal Joint	
7) Vertical Joint	<ul style="list-style-type: none"> ① 455mm × 3, 030mm ② 455mm × 1, 818mm、455mm × 1, 820mm ③ 455mm × 1, 818mm、(meter module)
8) Internal Corner	
9) External Corner	Pre-formed Corner
10) Openings	<ul style="list-style-type: none"> ① Top and Bottom ② Sides
11) Soffit	<ul style="list-style-type: none"> ① Eaves Trim ② Sealant
12) Overhang	<ul style="list-style-type: none"> ① Overhang Flashing ② Hanging Wall Member ③ Pre-formed Corner
13) Junction with Roofing	<ul style="list-style-type: none"> ① Top End ② Sloped side End

EX,S

(t=16、18mm)

Wooden framework

5mm Clip



furring strip

Horizontal

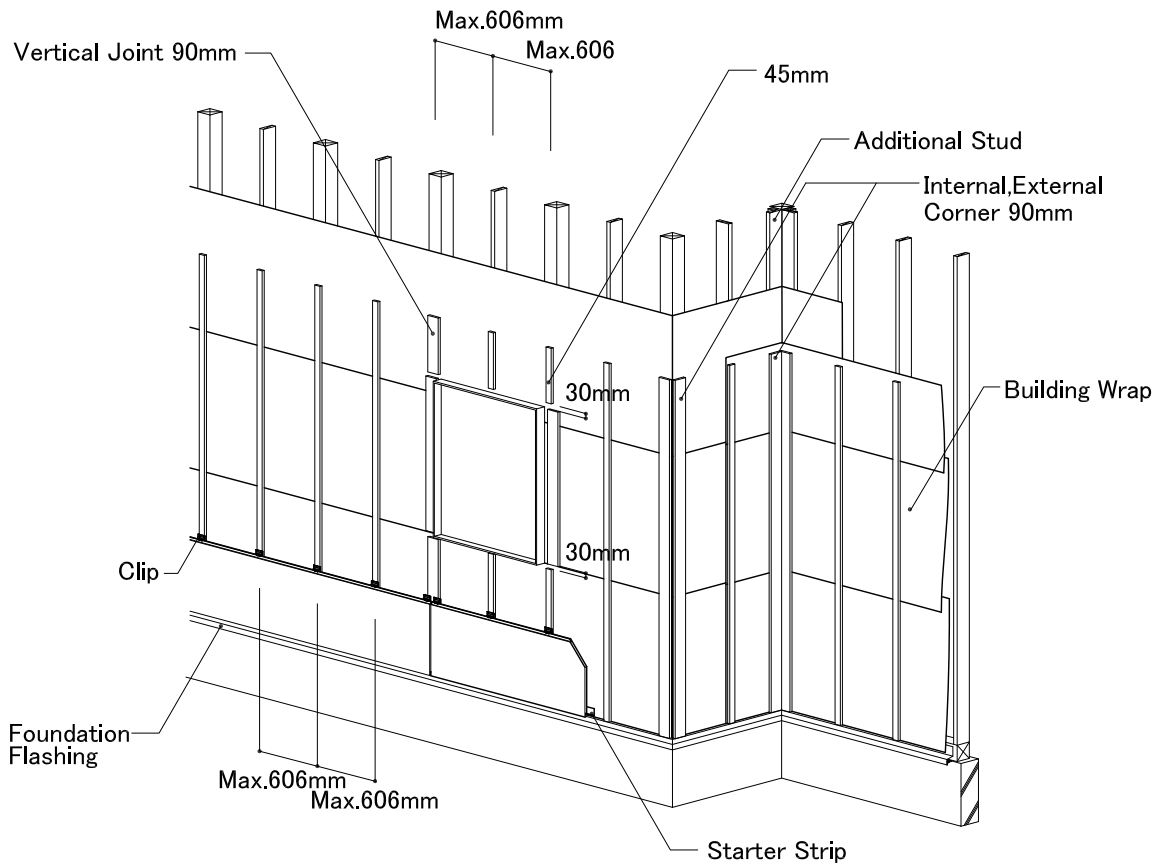


455 × 3030mm

1) Overview

455 × 3030

- Before fixing furring strip, install the flashing first, and then the Building Wrap, so that the Building Wrap covers the top edge of flashing
- If the furring strip cannot be fixed to a frame member, put in extra studs for the furring strip to attach to
- Use at least 18mm thick dried cedar or at least 15mm thick dried western hemlock for furring strip as shown below
- The furring strip width should be at least 45mm, but for parts such as external corners, internal corners and openings the strip should be 90mm or wider
- Fix furring strip to structure at max. 606mm intervals with $\phi 3.0\text{mm} \times 65\text{mm}$ size or longer Nails, or $\phi 3.8\text{mm} \times 50\text{mm}$ or longer Screws. Unevenness of the Nichiha Panel surface must be no more than 3mm
- Leave a 30mm gap between openings and horizontal furring strip to ensure proper ventilation

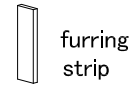


EX,S

(t=16、18mm)

Wooden framework

5mm Clip



furring strip

Horizontal

455 × 3030mm

2) Main Member		455mm × 3030mm	
<p>■ Starter Strip</p> <p>Starter Strip(A) 【Product number: FA150A】 Length: 3,030mm</p>	<p>■ Starter Strip</p> <p>Starter Strip(B) 【Product number: FA150B】 Length: 3,030mm</p>	<p>■ Clip</p> <p>Clip 【Product number: JE555】</p>	<p>■ Clip</p> <p>Clip 【Product number: JE650】</p>
<p>■ Corner Clip</p> <p>Clip 【Product number: JE550C】</p>	<p>■ Corner Clip</p> <p>Clip 【Product number: JE650C】</p>	<p>■ Corner Clip</p> <p>Clip 【Product number: JE552C】</p>	<p>■ Corner Clip</p> <p>Clip 【Product number: JE652C】</p>
<p>■ Nichiha Screw (Starter Strip・Clip)</p> <p>Nichiha Screw 【Product number: JK1150】 Size: φ 4.1mm × 35mm</p>	<p>■ Nichiha Nail (Clip)</p> <p>Nichiha Nail 【Product number: JK440】 Size: φ 2.3mm × 38mm</p>	<p>■ Nichiha Nail (Nichiha Panel Surface fastening)</p> <p>Nichiha Nail 【Product number: JKW840B, etc.】 Size: φ 2.75mm × 50mm</p>	<p>■ Spacer</p> <p>Spacer 05 【Product number: FS1005】 Length: 1,200mm</p> <p>Spacer(piece type) 【Product number: FSP1005】 Length: 1,000mm</p>
<p>■ Double-flange Joint Backer Strip</p> <p>Double-flange Joint Backer Strip 10 【Product number: FH1010R】 Length: 3,030mm</p>	<p>■ Single-flange Joint Backer Strip</p> <p>Single-flange Joint Backer Strip 10 【Product number: FHK1110R】 Length: 2,000mm</p>	<p>■ Single-flange Joint Backer Strip</p> <p>Single-flange Joint Backer Strip 05 【Product number: FHK1105R】 Length: 2,000mm</p>	<p>■ Backing Rod</p> <p>Backing Rod 10 【Product number: FB1010】 長さ: 1,000mm</p>
<p>■ Internal Corner Backing 50</p> <p>Internal Corner Backing 50 【Product number: JR1900】 Length: 3,030mm</p>			

EX,Fu-ge (t=16、18mm)

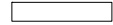
Wooden framework

5mm Clip



furring strip

Horizontal

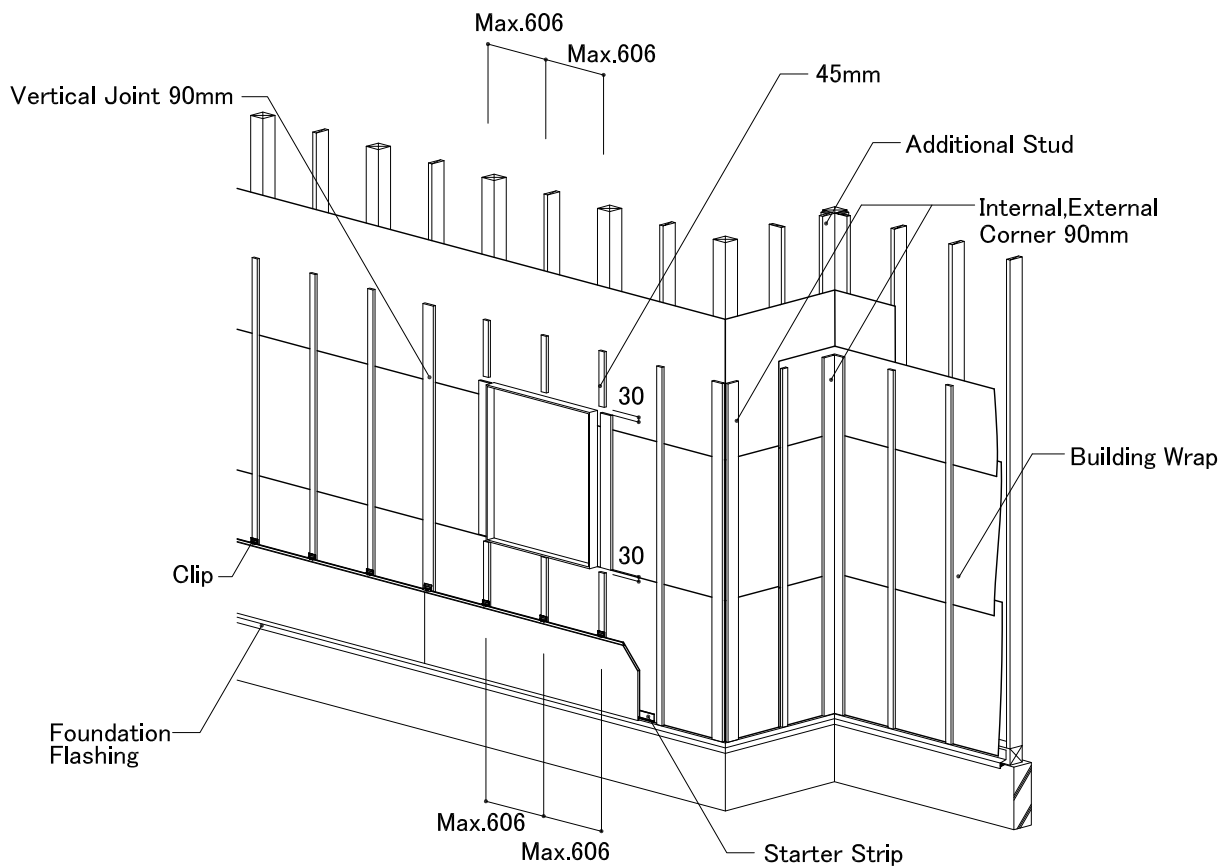


455 × 1818mm, 455 × 1820mm

3) Overview

455mm × 1818mm , 455mm × 1820mm

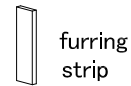
- Before fixing furring strip, install the flashing first, and then the Building Wrap, so that the Building Wrap covers the top edge of flashing
- Use at least 18mm thick dried cedar or at least 15mm thick dried western hemlock for furring strip as shown below
- The furring strip width should be at least 45mm, but for parts such as external corners, internal corners and openings the strip should be 90mm or wider
- Fix furring strip to structure at max. 606mm intervals with $\phi 3.0\text{mm} \times 65\text{mm}$ size or longer Nails, or $\phi 3.8\text{mm} \times 50\text{mm}$ or longer Screws. Unevenness of the Nichiha Panel surface must be no more than 3mm
- Leave a 30mm gap between openings and horizontal furring strip to ensure proper ventilation



EX,Fu-ge (t=16、18mm)

Wooden framework

5mm Clip



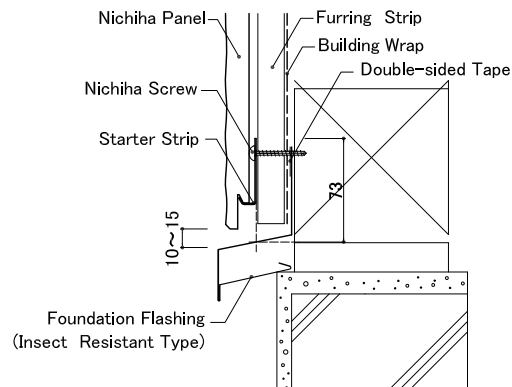
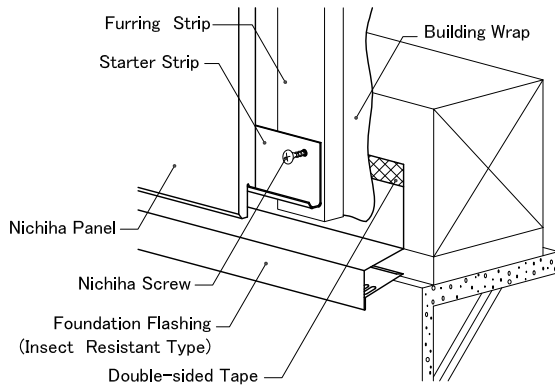
Horizontal

455 × 3030mm

4) Main Member		455mm × 1818mm , 455mm × 1820mm	
<p>■ Starter Strip</p> <p>Starter Strip (A) 【Product number: FA150A】 Length: 3,030mm</p>	<p>■ Clip</p> <p>Clip 【Product number: JE555】</p>	<p>■ Joint Clip</p> <p>Joint Clip 【Product number: JEJ555】</p>	<p>■ Corner Clip</p> <p>Corner Clip 【Product number: JE550C】</p>
<p>■ Corner Clip</p> <p>Corner Clip 【Product number: JE552C】</p>	<p>■ Nichiha Screw (Starter Strip・Clip)</p> <p>Nichiha Screw 【Product number: JK1150】 Size: φ 4.1mm × 35mm</p>	<p>■ Nichiha Nail (Clip)</p> <p>Nichiha Nail 【Product number: JK440】 Size: φ 2.3mm × 38mm</p>	<p>■ Nichiha Nail (Nichiha Panel Surface fastening)</p> <p>Nichiha Nail 【Product number: JKW840Bなど】 Size: φ 2.75mm × 50mm</p>
<p>■ Spacer</p> <p>Spacer 05 【Product number: FS1005】 Length: 1,200mm</p> <p>Spacer(piece type) 【Product number: FSP1005】 Length: 1,000mm</p>	<p>■ Double-flange Joint Backer Strip</p> <p>Double-flange Joint Backer Strip 10 【Product number: FH1010R】 Length: 3,030mm</p>	<p>■ Single-flange Joint Backer Strip</p> <p>Single-flange Joint Backer Strip 10 【Product number: FHK1110R】 Length: 2,000mm</p>	<p>■ Single-flange Joint Backer Strip</p> <p>Single-flange Joint Backer Strip 05 【Product number: FHK1105R】 Length: 2,000mm</p>
<p>■ Backing Rod</p> <p>Backing Rod 10 【Product number: FB1010】 長さ: 1,000mm</p>	<p>■ Internal Corner Backing 50</p> <p>Internal Corner Backing 50 【Product number: JR1900】 Length: 3,030mm</p>		

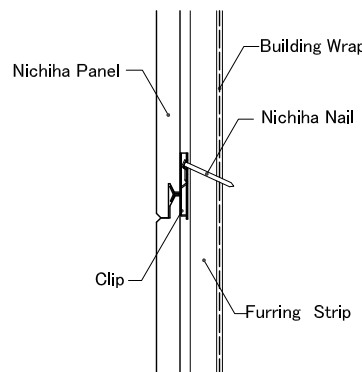
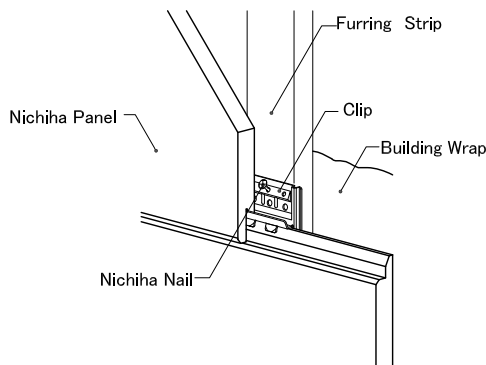
5) Base

- Install the flashing to the base with Nichiha Nail. Flashing must be level and fastened at max. 606mm intervals
- Starter strip should be installed by Nichiha Screws (Stainless Screws $\phi 4.1 \text{ mm} \times 35 \text{ mm}$) at max. 606mm intervals
- Leave 10~15mm space between the flashing and the bottom edge of Nichiha Panels



6) Horizontal Joint

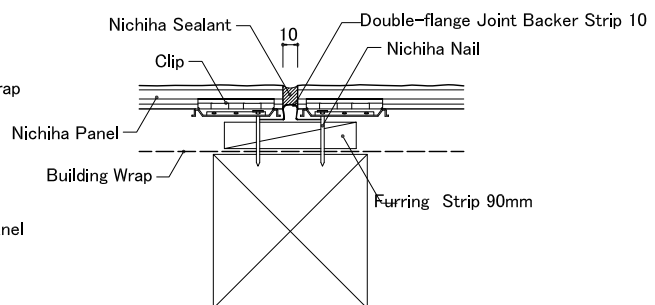
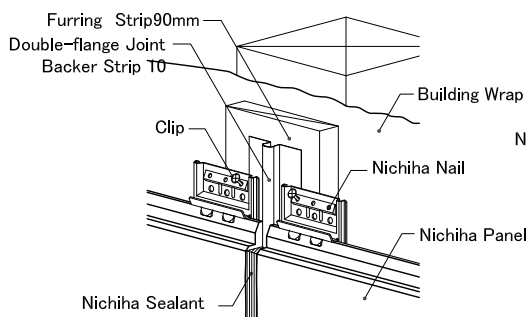
- Clips must be tightly inserted into Nichiha Panel tongue and fixed with Nichiha Nails (Stainless Nail $\phi 2.3 \text{ mm} \times 38 \text{ mm}$) or Screws (Stainless Screws $\phi 4.1 \text{ mm} \times 35 \text{ mm}$)



7) Vertical Joint

① 455 × 3030

- Use "Double-flange Joint Backer Strip 10" behind the Vertical Junction to keep mm space between Nichiha Panels
- Clips must be tightly inserted into Nichiha Panel tongue and fixed with Nichiha Nails (Stainless Nail $\phi 2.3 \text{ mm} \times 38 \text{ mm}$) or Screws (Stainless Screws $\phi 4.1 \text{ mm} \times 35 \text{ mm}$)
- Use masking tape to protect Nichiha Panel surface, apply Nichiha Primer to Nichiha Panel edges, and fill Nichiha Panel joint with Nichiha Sealant



EX,Fu-ge (t=16、18mm)

Wooden framework

5mm Clip



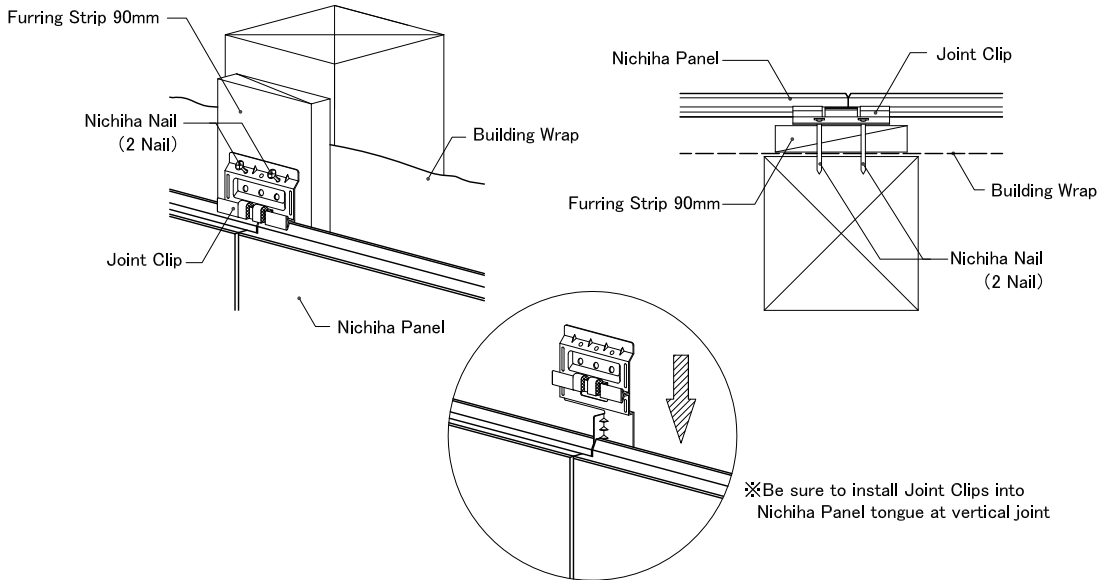
Horizontal

455 × 1820mm, 455 × 1818mm

7) Vertical joint

② 455 × 1820 , 455 × 1818

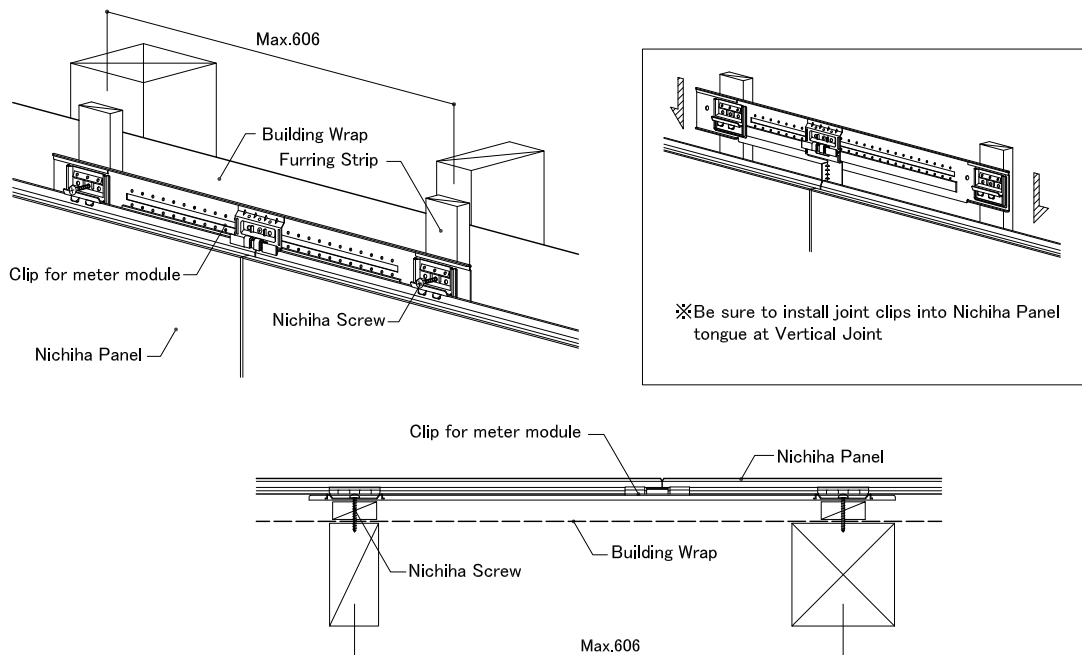
○At the Vertical Joint, insert Joint Clips tightly into the Nichiha Panel tongue and fix with 2 pcs of Nichiha Nails(Stainless Nail φ 2.3mm×38mm). or Nichiha Screw(Stainless Screws φ 4.1mm×35mm)



7) Vertical joint

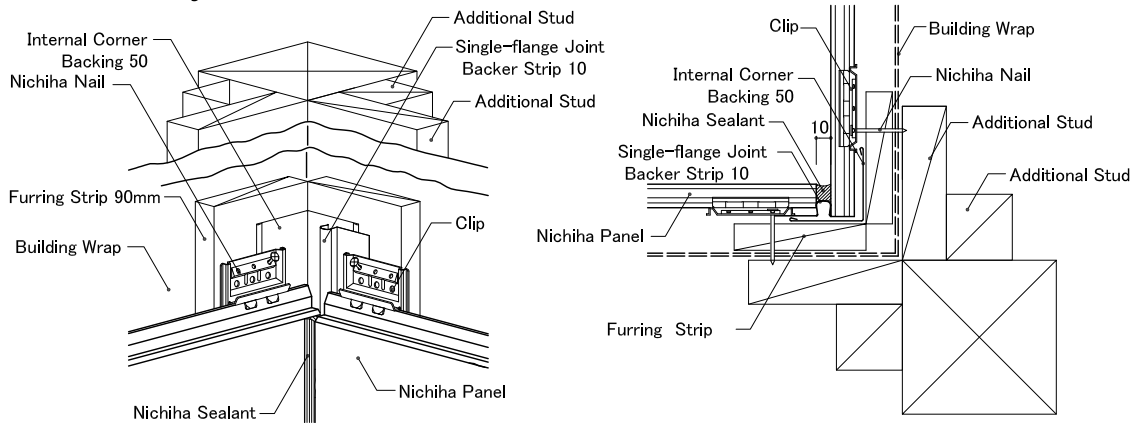
③ 455 × 1820 , 455 × 1818

○Where the Vertical Joint is Between Studs, use the spanholder and install 606mm module Clips at the joint and at both studs with Nichiha Screws(Stainless Screws φ 4.1mm×35mm)



8) Internal Corner

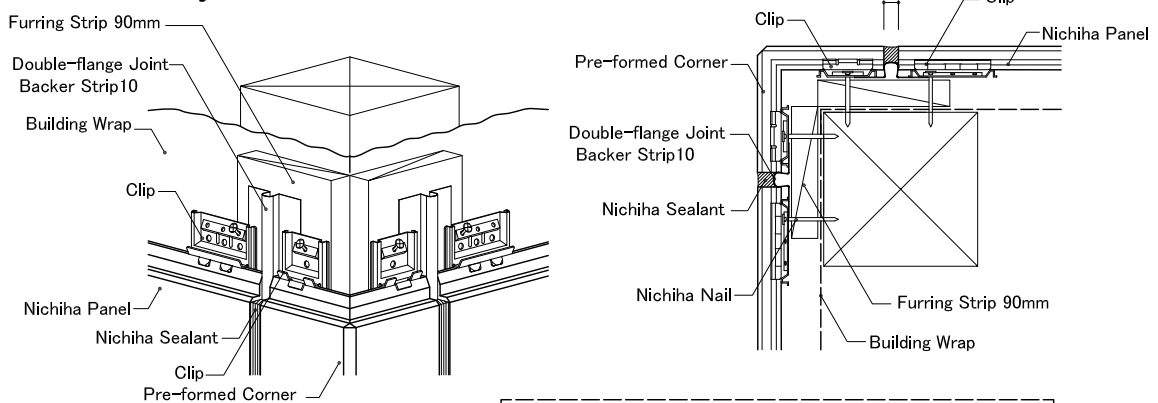
- Add the extra studs for Clip attachment
- After fixing "Internal Corner Backing 50", use "Single-flange Joint Backer Strip 17" and install Nichiha Panels, so as to keep 10mm space for sealant as shown below
- Clips must be tightly inserted into Nichiha Panel tongue and fixed with Nichiha Nails (stainless Nail ϕ 2.3mmx38mm) or Nichiha Screws (Stainless Screws ϕ 4.1mmx35mm)
- Use masking tape to protect Nichiha Panel surface, apply Nichiha Primer to Nichiha Panel edges, and fill Nichiha Panel joint with Nichiha Sealant



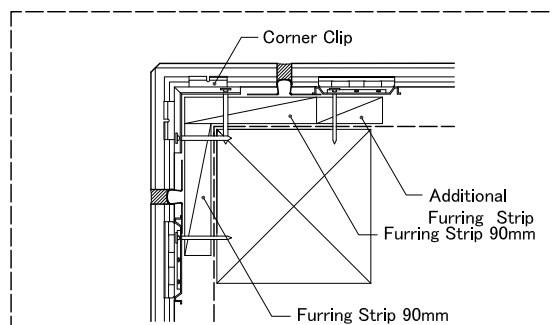
9) External Corner

Pre-formed Corner

- Use dedicated corner Clips to install Pre-formed Corner
- Corner Clips must be tightly inserted into Nichiha Panel tongue and fixed with Nichiha Nails (Stainless Nail ϕ 2.3mmx38mm), or Nichiha Screws (Stainless Screws ϕ 4.1mmx35mm)
- "Double-flange Joint Backer Strip 10" must be used between Pre-formed Corners and Nichiha panel. It keeps 10mm space for sealant
- Use masking tape to protect Nichiha Panel surface, apply Nichiha Primer to Nichiha Panel edges, and fill Nichiha Panel joint with Nichiha Sealant



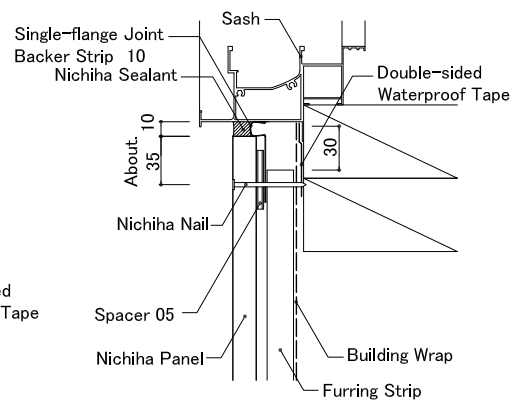
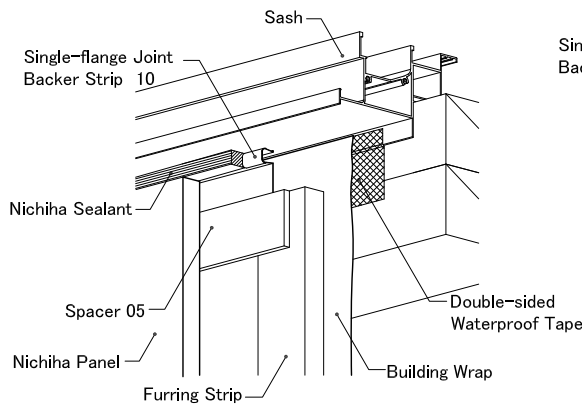
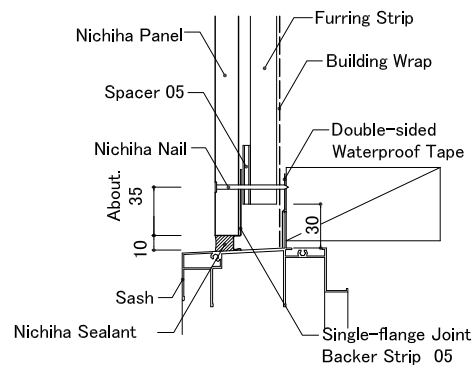
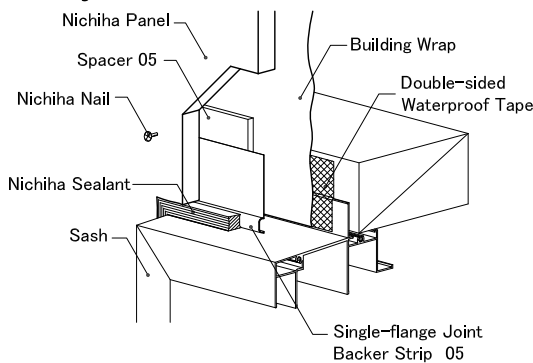
- When you use fastenning for Nichiha Panel outside corner, please add furring strip as shown in the figure on the right to install furring strip to the corner correctly



10) Openings

① Top and Bottom

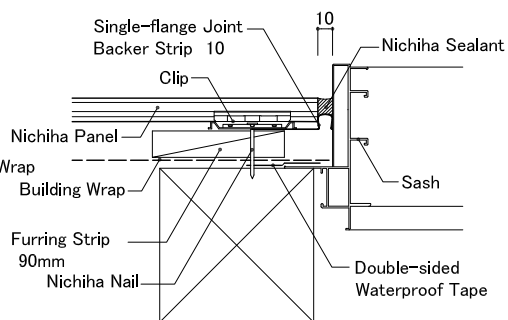
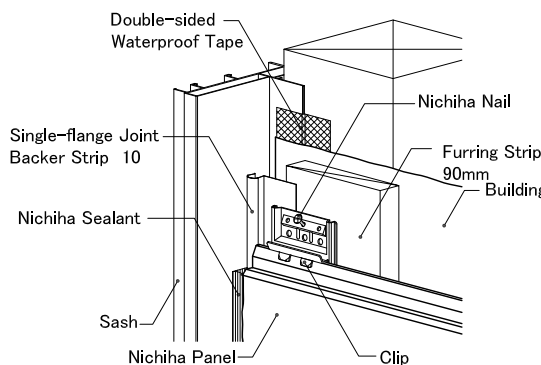
- Around the openings, install a Building Wrap using Double-sided Waterproof Tape
- At the top, install "Spacer 05" and attach "Single-flange Joint Backer Strip 05" to keep 10mm space for sealant, and then install Nichiha Panel by Nichiha Nails (Stainless Nail ϕ 2.75mmx50mm) after pre-drilling holes
- At the bottom, install "Single-flange Joint Backing Strip 10" and attach "Spacer 05" to keep 10mm space for sealant, and then install Nichiha Panel by Nichiha Nails (Stainless Nail ϕ 2.75mmx50mm) after pre-drilling holes
- Use masking tape to protect Nichiha Panel surface, apply Nichiha Primer to Nichiha Panel edges, and fill Nichiha Panel joint with Nichiha Sealant



10) Openings

② Sides

- Around the openings, install a Building Wrap using Double-sided Waterproof Tape
- At the top, install "Spacer 05" and attach "Single-flange Joint Backer Strip 05" to keep 10mm space for sealant, and then install Nichiha Panel by Nichiha Nails (Stainless Nail ϕ 2.75mmx50mm) after pre-drilling holes
- Use masking tape to protect Nichiha Panel surface, apply Nichiha Primer to Nichiha Panel edges, and fill Nichiha Panel joint with Nichiha Sealant



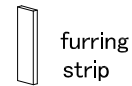
[Nail head] Paint conspicuous nail heads with a minimal amount of the dedicated touch-up paint only.

EX,S,Fu-ge (t=16, 18mm)

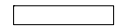
Wooden framework

455 × 3030mm, 455 × 1820mm, 455 × 1818mm

5mm Clip



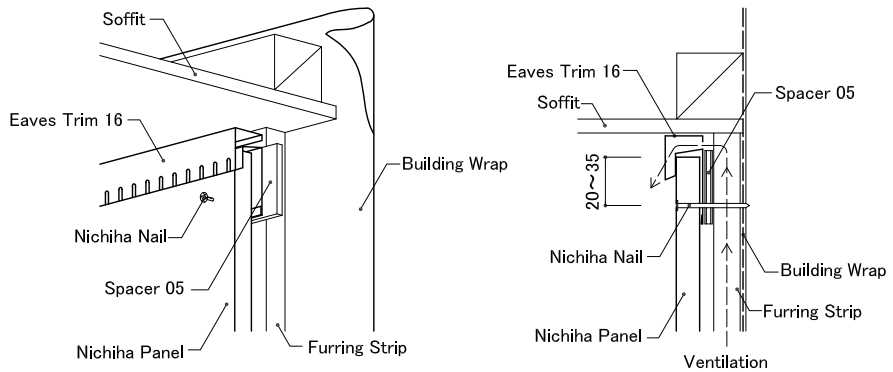
Horizontal



1 1) Soffit

① Eaves Trim

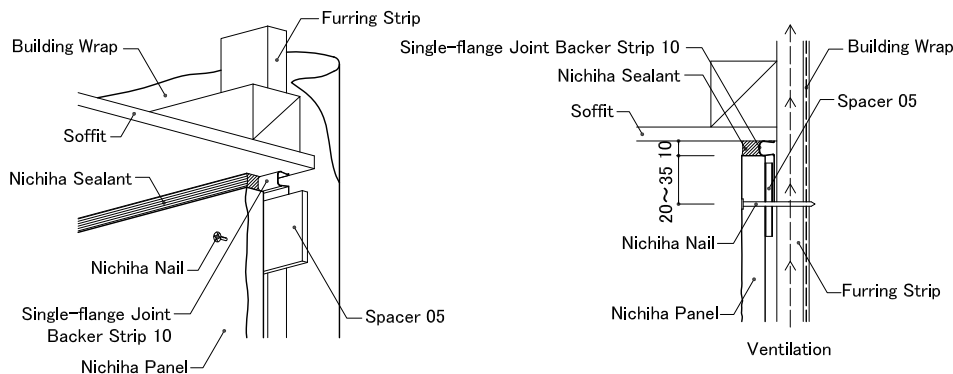
- Install “Spacer 05” and “Eaves Trim 16” as shown below
- Insert Nichiha Panel into “Eaves Trim 16” and fix with Nichiha Nails (Stainless Nail ϕ 2.75mmx50mm) after pre-drilling holes



1 1) Soffit

② Sealant

- In order to secure the ventilation to the attic space , install Building Wrap and furring strip prior to installing the soffit
- Install “Single-flange Joint Backer Strip 10” between soffit and Nichiha Panel to keep 10mm space for sealant
- Fix “Spacer 05” and install Nichiha Panel by Nichiha Nails after pre-drilling (Stainless Nail ϕ 2.75mmx50mm)
- Use masking tape to protect Nichiha Panel surface, apply Nichiha Primer to Nichiha Panel edges, and fill Nichiha Panel joint with Nichiha Sealant



(Nail head) Paint conspicuous nail heads with a minimal amount of the dedicated touch-up paint only.

<h3>12) Overhang</h3>	<h3>① Overhang Flashing</h3>
<ul style="list-style-type: none"> ○ Install the Building Wrap covers the top edge of the overhang flashing as shown below, and hold with Double-sided Waterproof Tape ○ Leave 10mm space between bottom of Nichiha Panels and Overhang Flashing ○ Fix "Spacer 05" and install Nichiha Panels by Nichiha Nails (Stainless Nail ϕ 2.75mmx50mm) after pre-drilling holes 	
<h3>12) Overhang</h3>	<h3>② Hanging Wall Member</h3>
<ul style="list-style-type: none"> ○ Use "Hanging Wall Member 23" for 18mm vertical studs, and "Hanging Wall Member 18" for 15mm vertical studs ○ Install the Building Wrap covers the top edge of the hanging wall member using Double-sided Waterproof Tape ○ Fix "Spacer 05" and install Nichiha Panels by Nichiha Nails (Stainless Nail ϕ 2.75mmx50mm) after pre-drilling holes 	
<p>Furring Strip 18mm: Hanging Wall Member 23 Furring Strip 15mm: Hanging Wall Member 18</p>	<p>Furring Strip 18mm: Hanging Wall Member 23 Furring Strip 15mm: Hanging Wall Member 18</p>
<h3>12) Overhang</h3>	<h3>③ Pre-formed Corner</h3>
<ul style="list-style-type: none"> ○ Install Building Wrap using a Double-sided Waterproof Tape ○ In case of Pre-formed Corner installation, use Pre-formed Overhang Member. The Pre-formed Corner member can be used for only inside Dimension 70mm Pre-formed ○ After installing "Spacer 15", pre-formed corner member, "Double-flange Joint Backer Strip 05", fix the Pre-formed Corner and Nichiha Panels by Nichiha Nails (Stainless Nail ϕ 2.75mmx50mm) after pre-drilling holes ○ Install "Double-flange Joint Backer Strip 05" to keep 10mm space between Pre-formed Corner and Nichiha Panels for sealant ○ Use masking tape to protect Nichiha Panel surface, apply Nichiha Primer to Nichiha Panel edges, and fill Nichiha Panel joint with Nichiha Sealant. 	

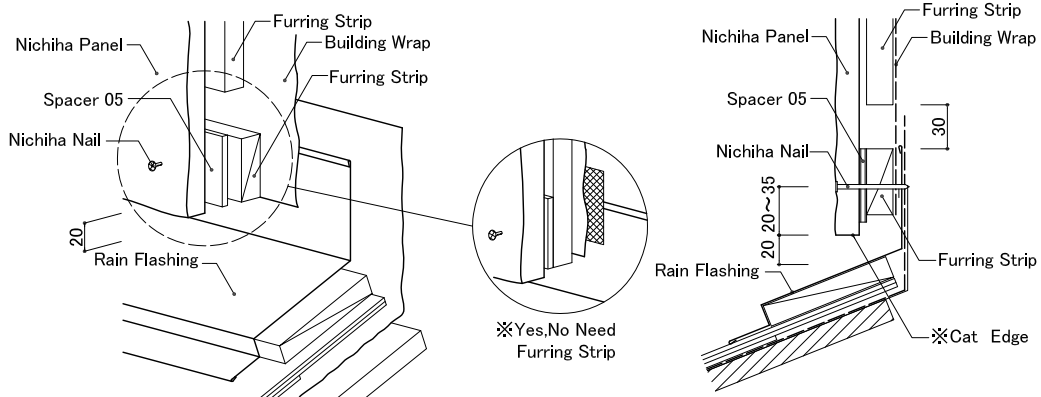
cut edge All surface without sealant should be applied by primer for at least twice. (Apply second layer after the first layer is dried)

Nail head Paint conspicuous nail heads with a minimal amount of the dedicated touch-up paint only.

13) Junction with Roofing

① Top End

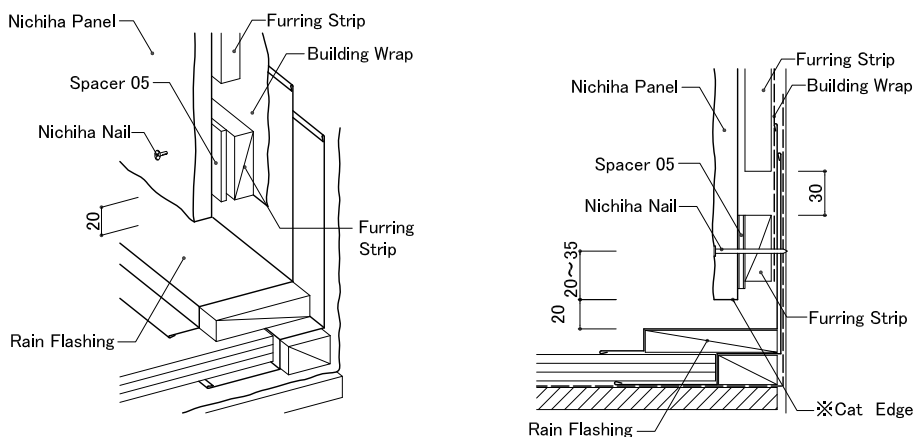
- Overlap the Building Wrap to the top edge of the rain flashing
- ※ In case of not using Furring Strip, use a Double-sided Waterproof Tape between the buildinglap and the Rain Flashing
- Leave 20mm space between bottom of Nichiha Panels and Rain Flashing
- Fix "Spacer 05" and install Nichiha Panel by Nichiha Nails (Stainless Nail φ 2.75mm x 50mm) after pre-drilling holes



13) Junction with Roofing

② Sloped side End

- Overlap the Building Wrap to the top edge of the Rain Flashing using Double-sided Waterproof Tape
- Leave 20mm space between bottom of Nichiha Panels and Rain Flashing
- Fix "spacer 15" and install Nichiha Panel by Nichiha Nails (Stainless Nail φ 2.75mm x 50mm) after pre-drilling holes



cut edge All surface without sealant should be applied by primer for at least twice. (Apply second layer after the first layer is dried)

Nail head Paint conspicuous nail heads with a minimal amount of the dedicated touch-up paint only.