

# NICHIHA EX SERIES 3030 PANEL

## VERTICAL INSTALLATION MANUAL

【Construction】 RC Structure

【 Substrate 】 Horizontal Metal Furring Strip

Overview	
Main Member	
Base	
Horizontal Joint	Shiplap Joint Flashing
Vertical Joint	
Internal Corner	
External Corner	Pre - formed Corner
Overhang	
Soffit	
Parapet	
Openings	Top Sides Bottom

# NICHIHA EX SERIES (3030 Panel)

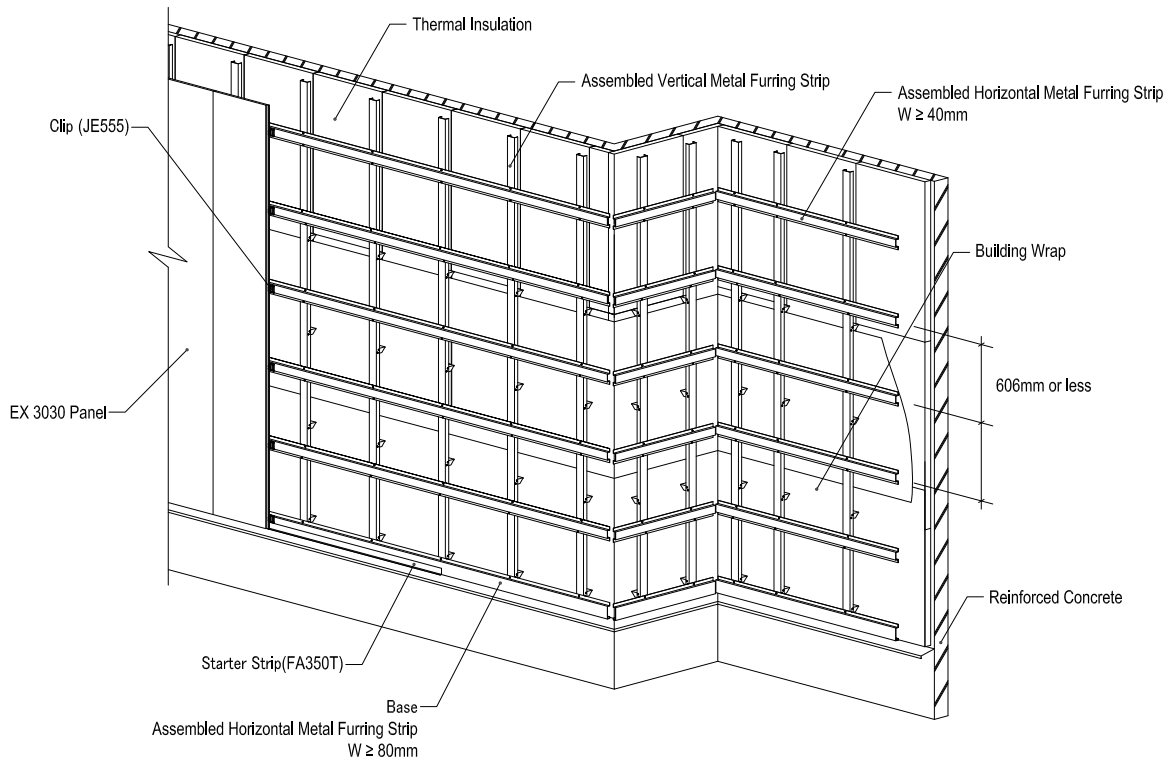
Substrate  
Metal Furring Strip

Furring Strip  
Horizontal

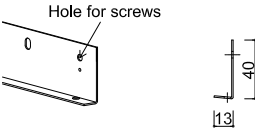
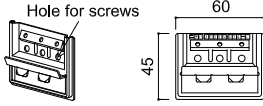

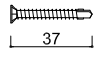
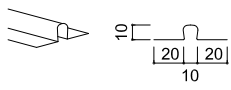
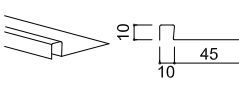
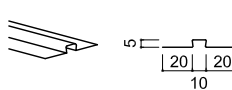
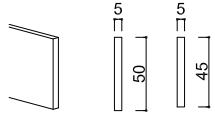
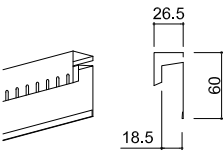
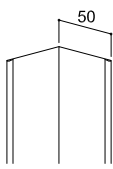
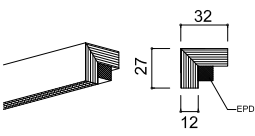
Panel Installation  
Direction  
Vertical

How to fix  
Clip  
(JE555)

## Overview



NICHHA EX SERIES (3030 Panel)	Substrate	Furring Strip	Panel Installation Direction	How to fix
	Metal Furring Strip	Horizontal	Vertical	Clip (JE555)

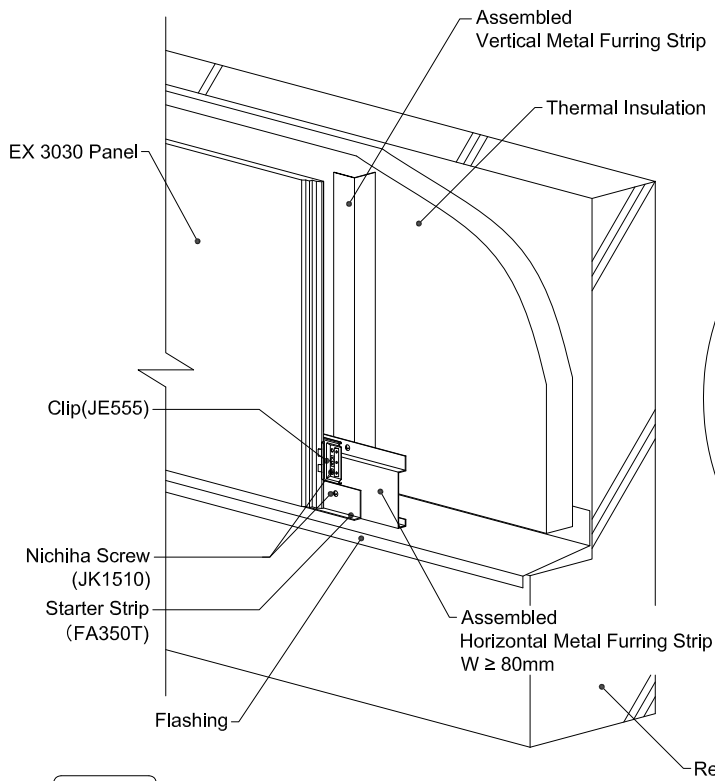
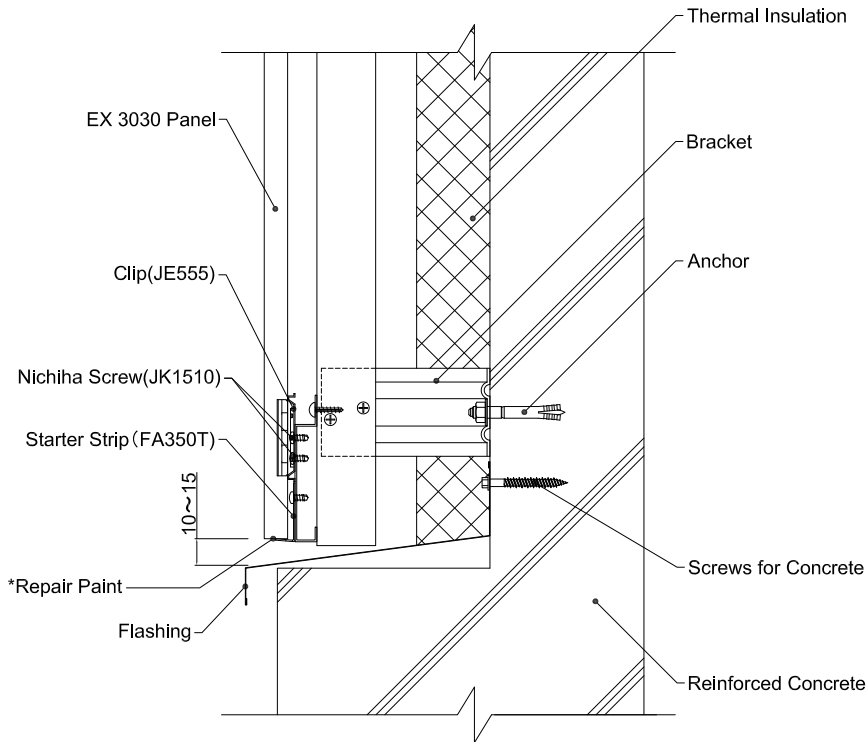
Main Accessories			
<p>■ Starter Strip</p>  <p>【FA350T】 Materials: Painted 55%Al-Zn-coated steel sheet Thickness: 1.0mm Length: 3,030mm Fastening interval: @250mm or less Note: fix with Nichiha Screws</p>	<p>■ Clip</p>  <p>【JE555】 Material: Zn-11%Al-3%Mg-0.2%Si-coated steel sheet Note: fix with Nichiha Screws</p>	<p>■ Nichiha Screw (for fixing Starter Strip・Clips)</p>  <p>【JK1510】 Material: Stainless Size: φ4.5mm×10mm</p>	<p>■ Nichiha Screw (for face fixing Panel)</p>  <p>【JK1520】 Material: Stainless Size: φ4.5mm×37mm</p>
<p>■ Sealant Backer Double Flange 10</p>  <p>【FH1010R】 Material: Fluoroplastic Resin Coated 55%Al-Zn-coated steel sheet Thickness: 0.3mm Length: 3,030mm</p>	<p>■ Sealant Backer Single Flange 10</p>  <p>【FHK1110R】 Material: Fluoroplastic Resin Coated 55%Al-Zn-coated steel sheet Thickness: 0.3mm Length: 2,000mm</p>	<p>■ Sealant Backer Double Flange 05</p>  <p>【FHK1005R】 Material: Fluoroplastic Resin Coated 55%Al-Zn-coated steel sheet Thickness: 0.3mm Length: 3,030mm</p>	<p>■ Spacer 05</p>  <p>【FS1005】 Length: 1,200mm Material: Polypropylene  (Piece Type) 【FSP1005】 Length: 1,000mm Materials: Polypropylene</p>
<p>■ Eaves Trim 16</p>  <p>【FTM10□□】 Materials: Painted 55%Al-Zn-coated steel sheet Thickness: 0.35mm Length: 3,030mm</p>	<p>■ Internal Corner Backing</p>  <p>【JR1900】 Material: Painted 55%Al-Zn-coated steel sheet Thickness: 0.27mm Length: 3,030mm</p>	<p>■ L-Form Cavity Vent</p>  <p>【FSK1000】 Material: Polyethylene Length : 1,220mm</p>	

# NICHIHA EX SERIES

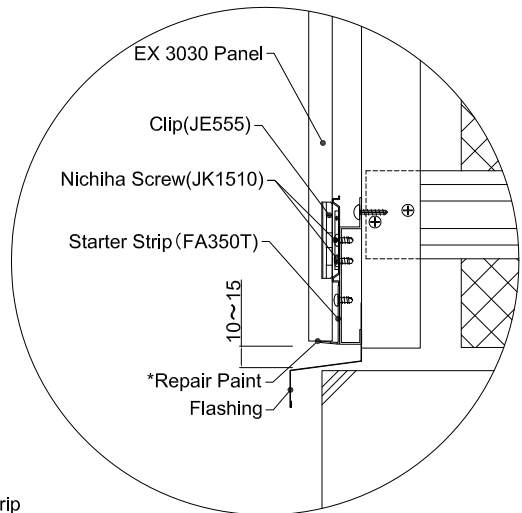
(3030 panel)

Substrate	Furring Strip	Panel Installation Direction	How to fix
	Metal Furring Strip	Horizontal	Vertical

Base	Flashing , Starter strip
------	--------------------------



**If you can not fasten the Flashing to Reinforced Concrete**



**Note**

Repair the cutting edge of Nichiha EX. Apply a sealer twice or repair coating after the sealer application with the repair solution.

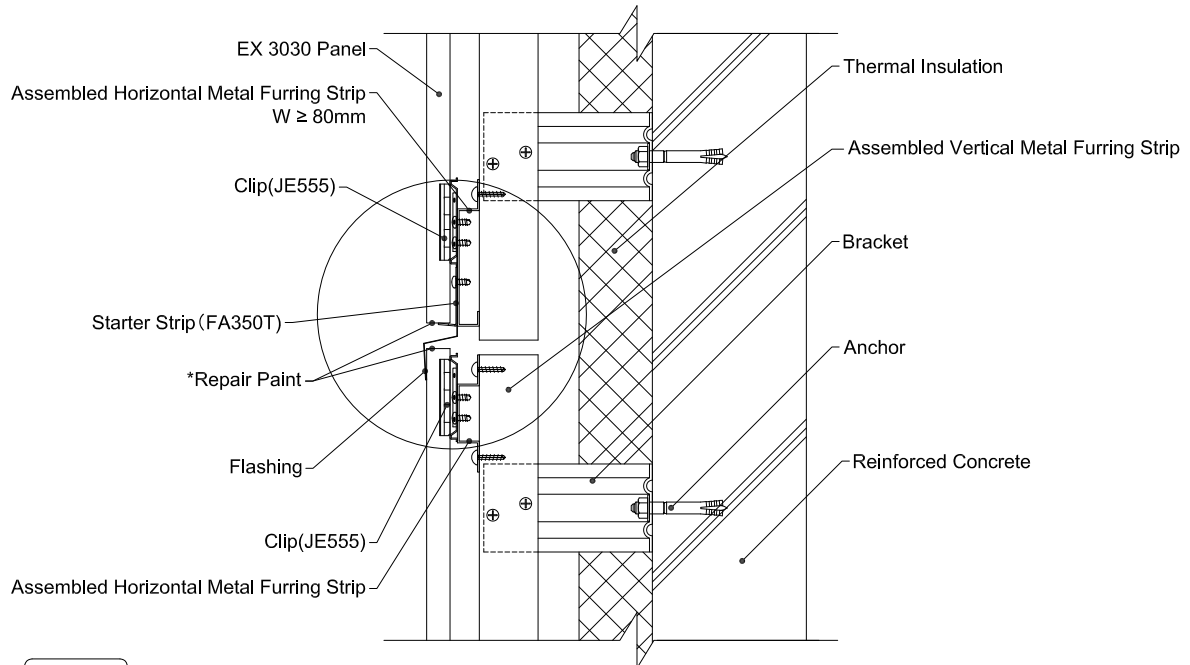
# NICHIHA EX SERIES

(3030 panel)

Substrate	Furring Strip	Panel Installation Direction		How to fix
		Horizontal	Vertical	
Metal Furring Strip	Horizontal	Vertical		Clip (JE555)

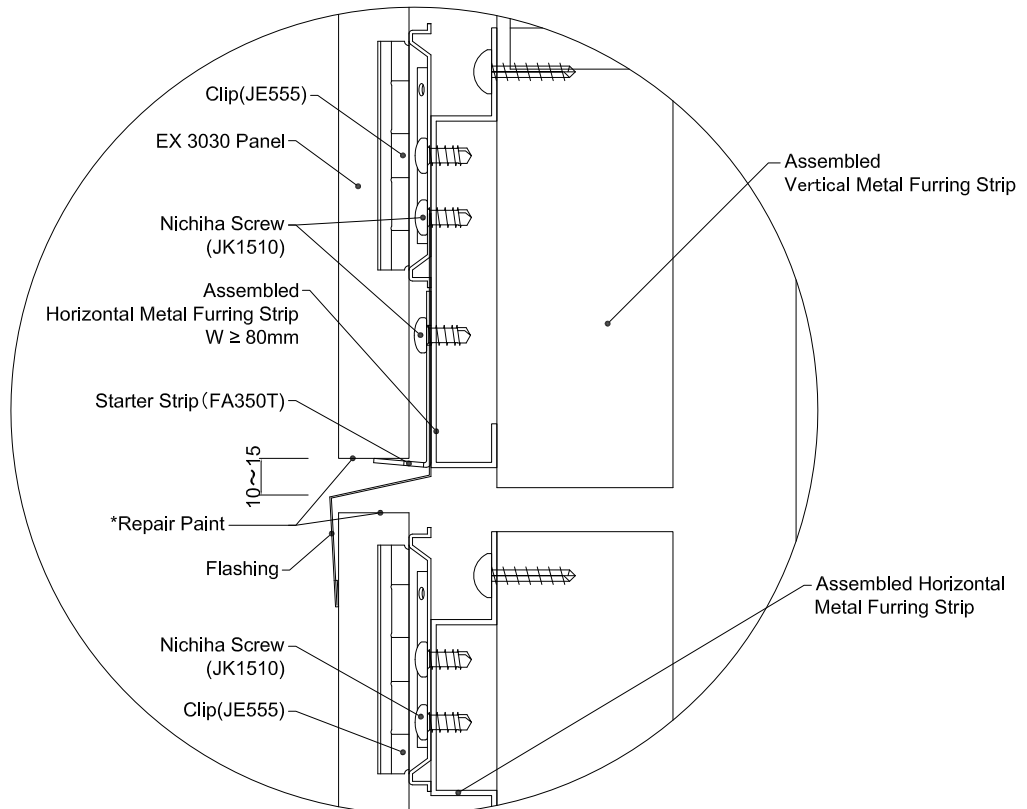
## Horizontal Joint

## Flashing



**Note**

Repair the cutting edge of Nichiha EX. Apply a sealer twice or repair coating after the sealer application with the repair solution.



**Note**

Repair the cutting edge of Nichiha EX. Apply a sealer twice or repair coating after the sealer application with the repair solution.

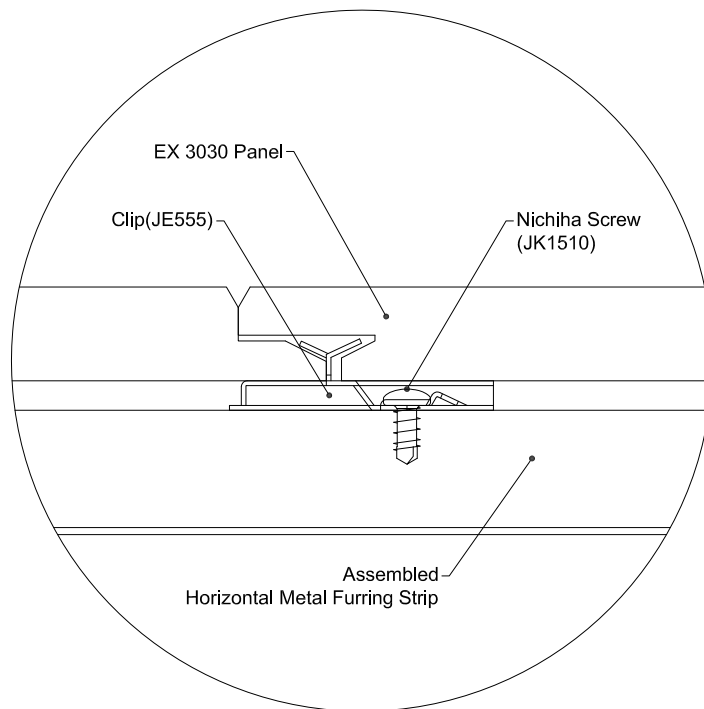
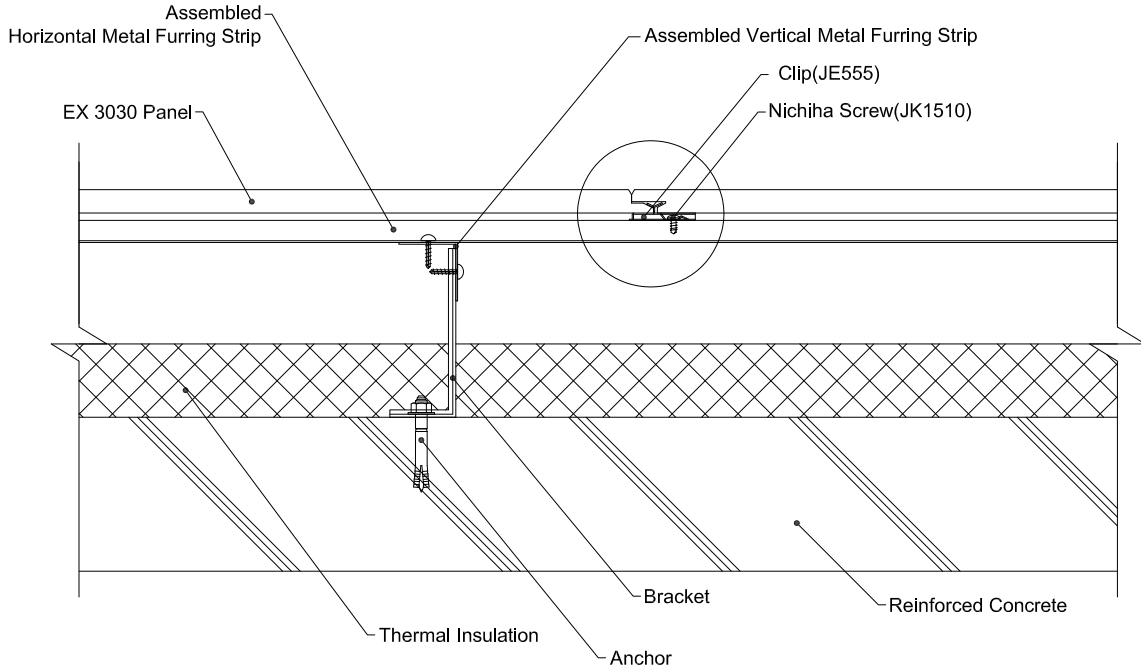
# NICHIHA EX SERIES

(3030 panel)

Substrate	Furring Strip	Panel Installation Direction		How to fix
		Horizontal	Vertical	
Metal Furring Strip	Horizontal		Vertical	Clip (JE555)

## Vertical Joint

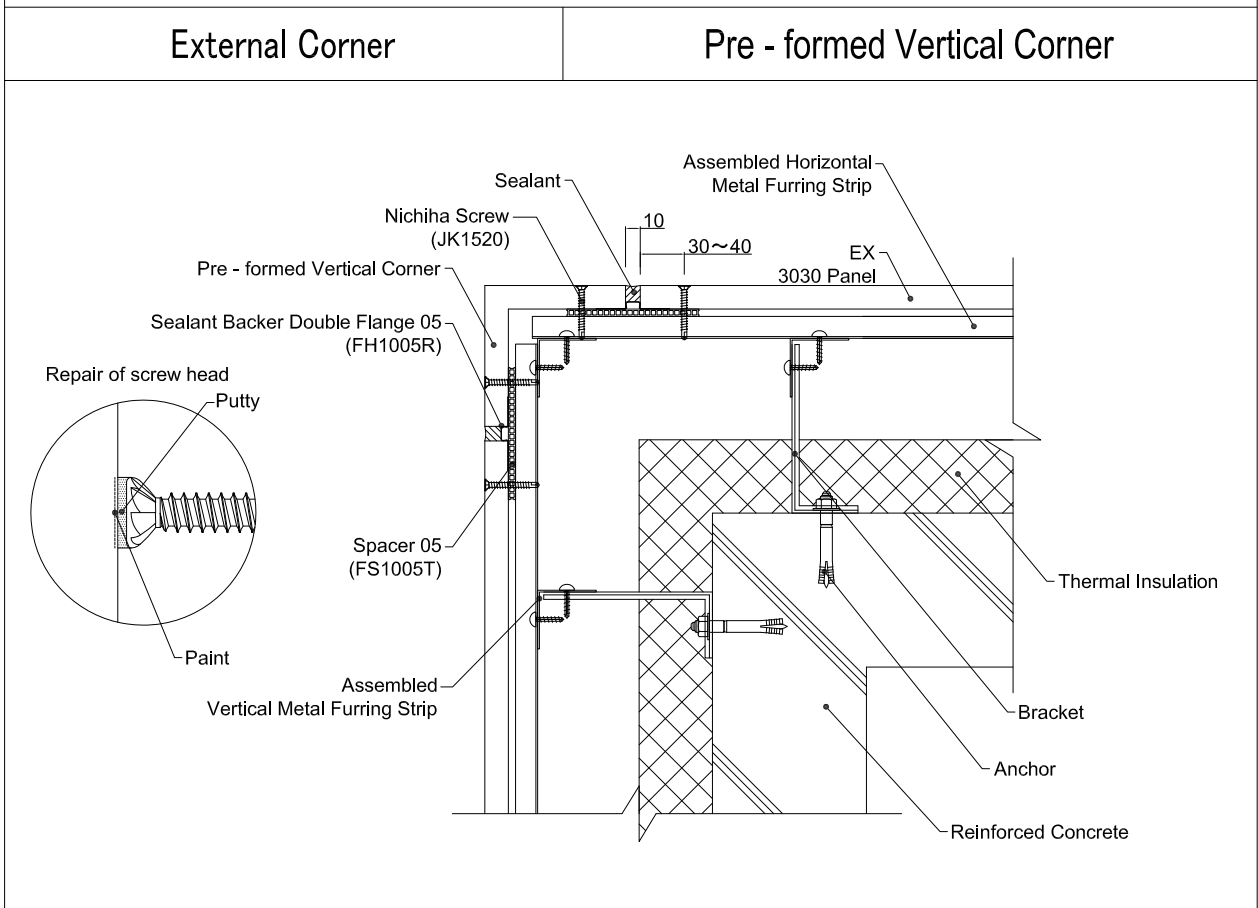
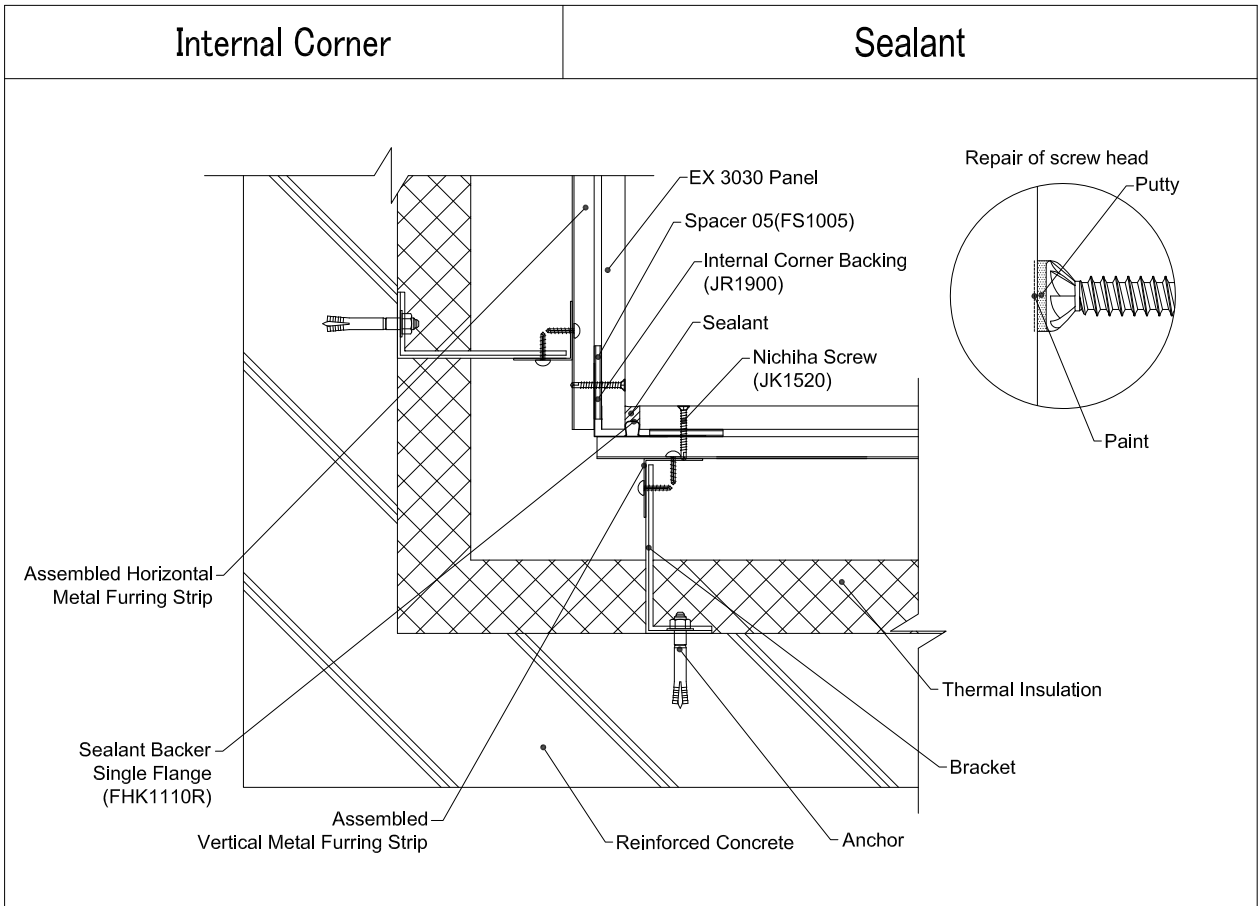
## Shiplap Joint



# NICHIHA EX SERIES

(3030 panel)

Substrate	Furring Strip	Panel Installation Direction		How to fix
	Metal Furring Strip	Horizontal	Vertical	Clip (JE555)



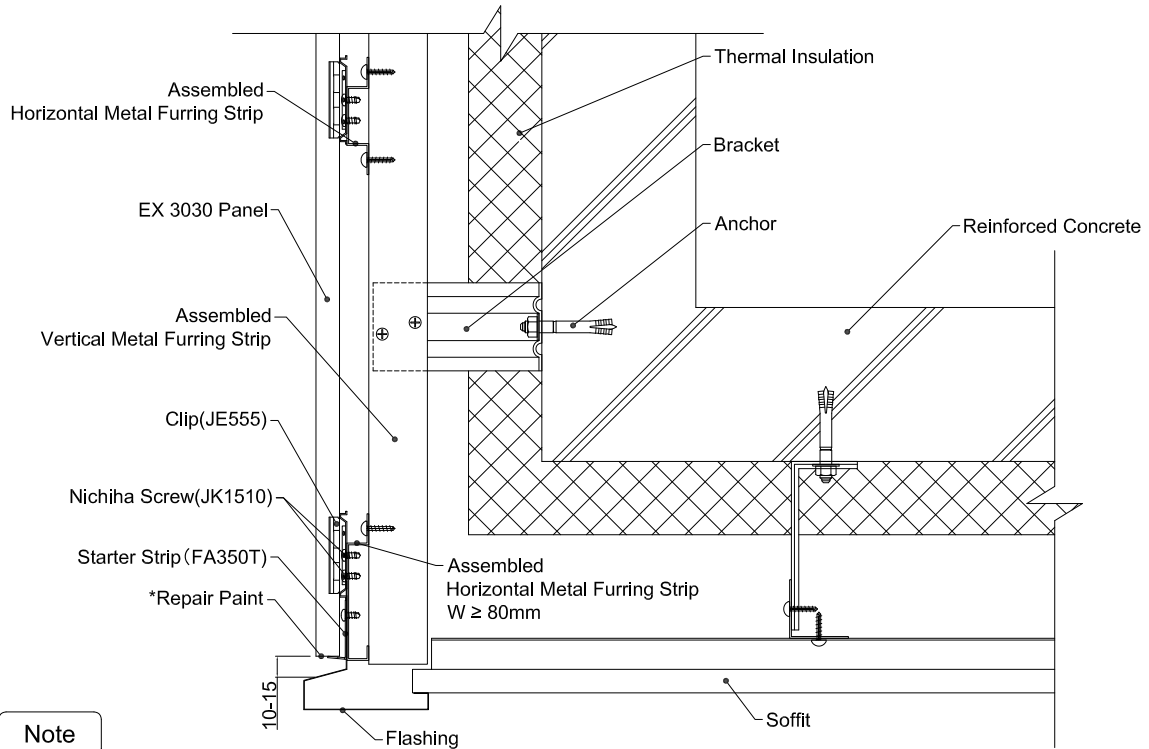
# NICHIHA EX SERIES

(3030 panel)

Substrate	Panel Installation Direction		How to fix
	Furring Strip	Direction	
Metal Furring Strip	Horizontal	Vertical	Clip (JE555)

## Overhang

## Flashing

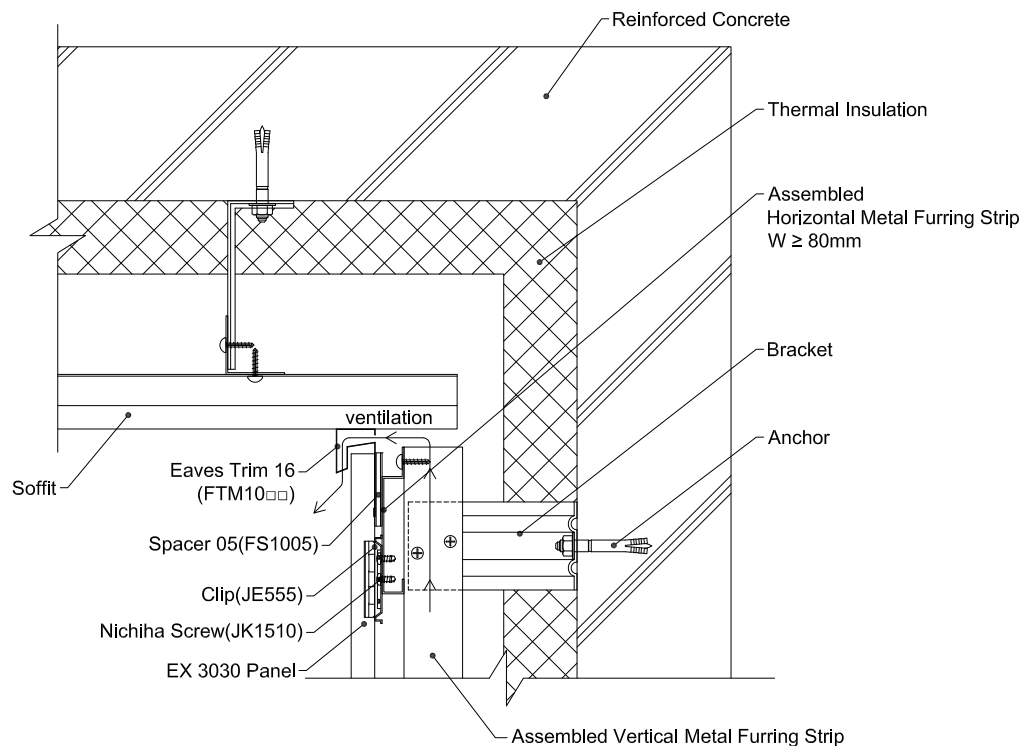


**Note**

Repair the cutting edge of Nichiha EX. Apply a sealer twice or repair coating after the sealer application with the repair solution.

## Soffit

## Eaves Trim 16



**Note**

□□ : Color numbers.



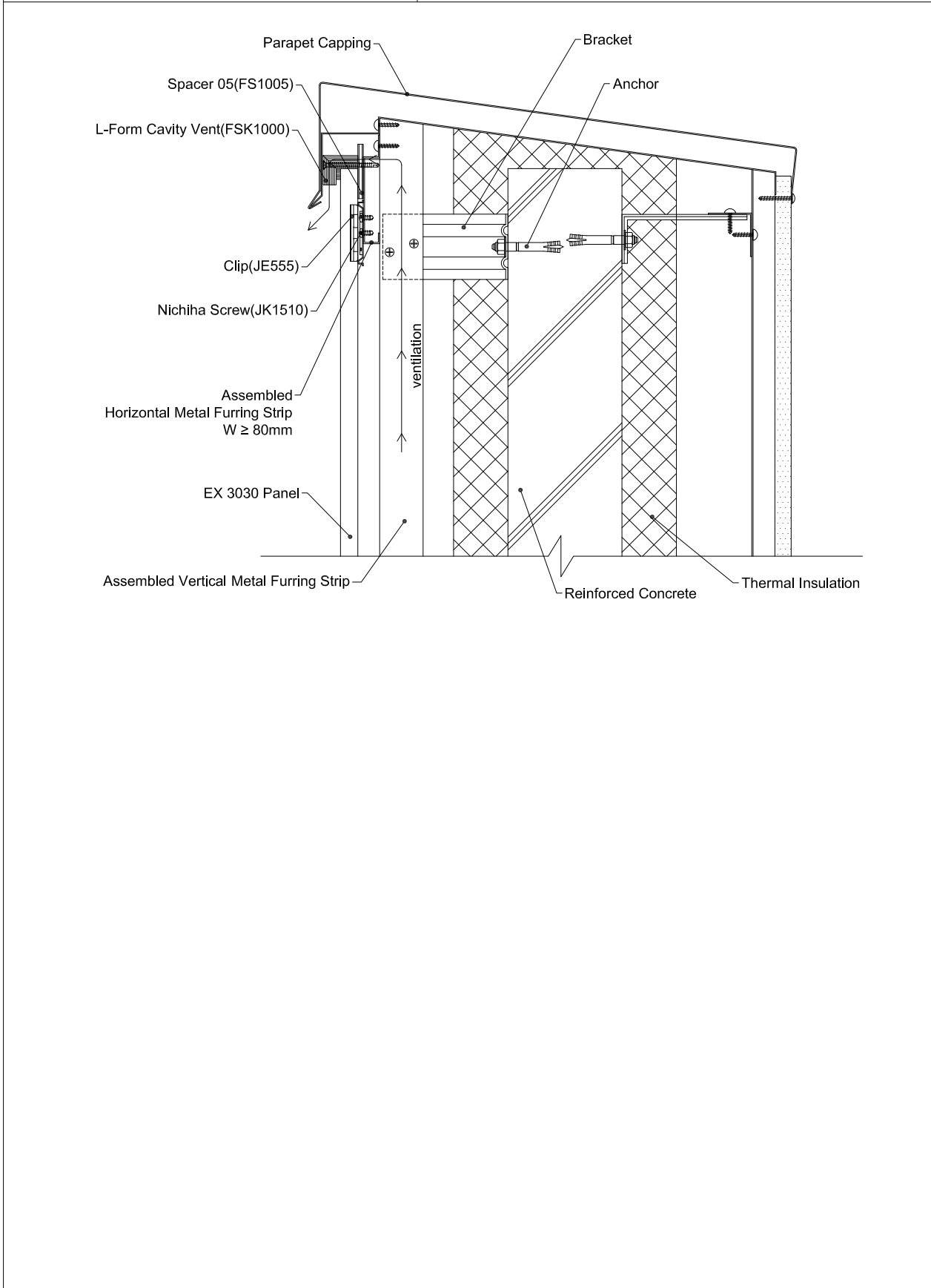
# NICHIHA EX SERIES

(3030 panel)

Substrate	Furring Strip	Panel Installation Direction	How to fix
Metal Furring Strip	Horizontal	Vertical	Clip (JE555)

## Parapet

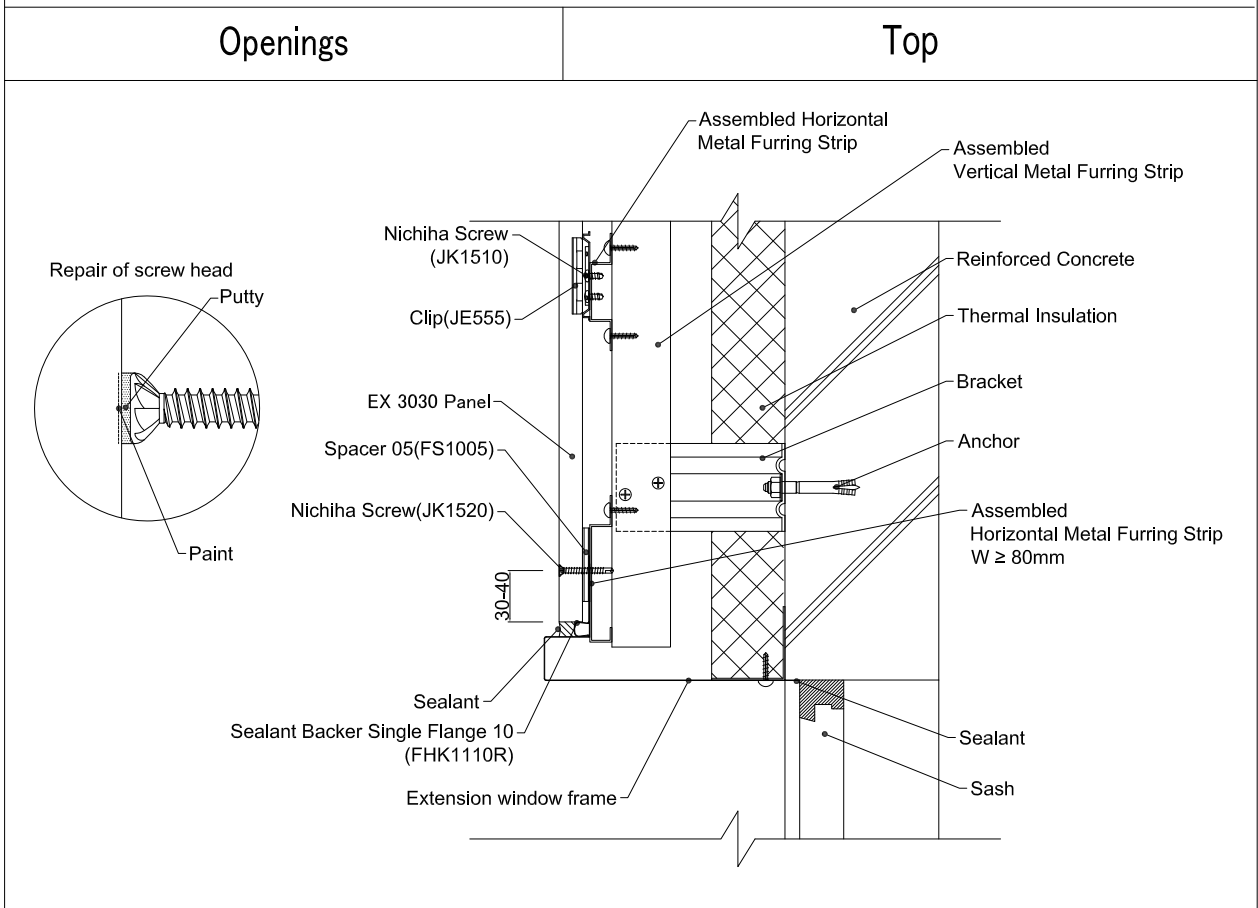
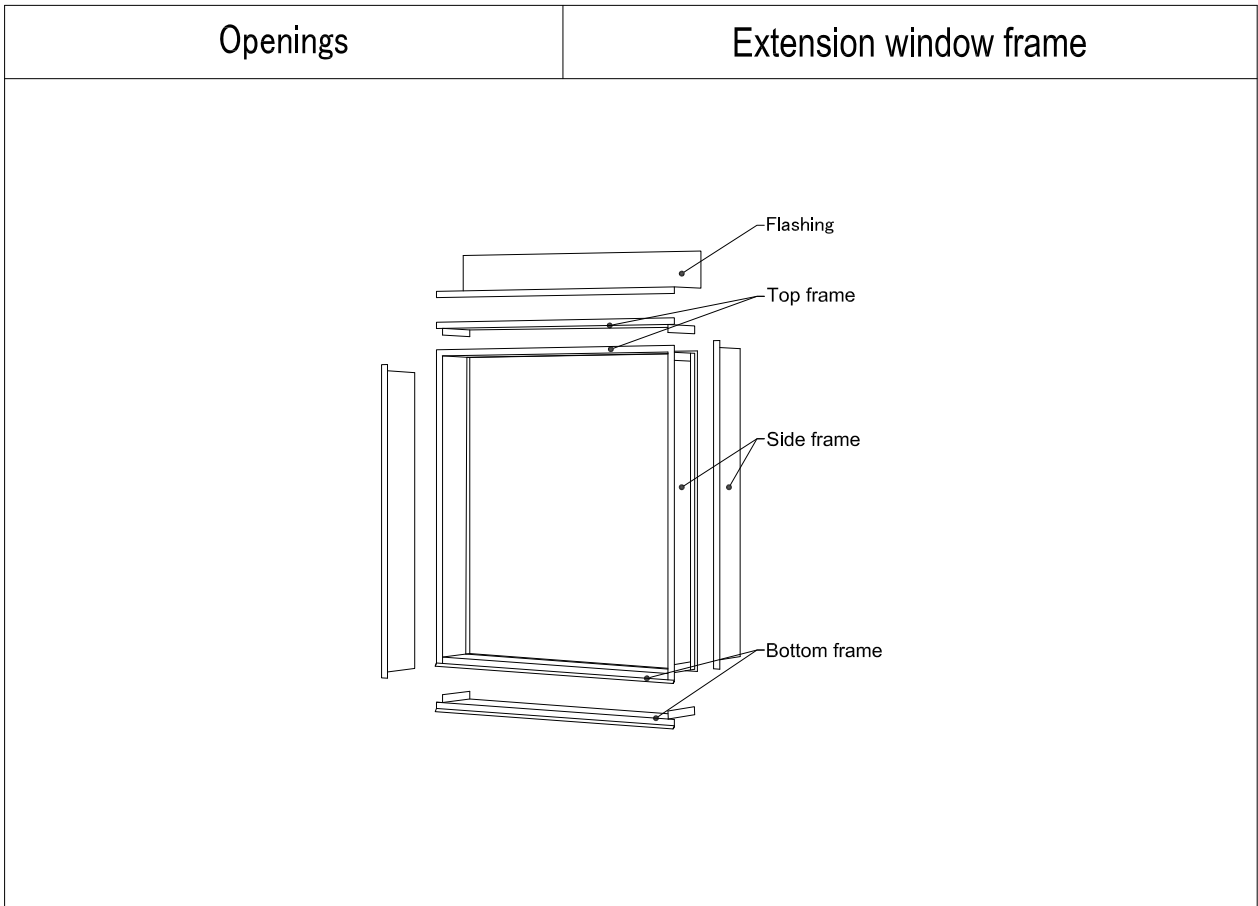
## L-Form Cavity Vent



# NICHIHA EX SERIES

(3030 panel)

Substrate	Furring Strip	Panel Installation Direction		How to fix
	Metal Furring Strip	Horizontal	Vertical	Clip (JE555)



# NICHIHA EX SERIES

(3030 panel)

Substrate	Furring Strip	Panel Installation Direction	How to fix
Metal Furring Strip	Horizontal	Vertical	Clip (JE555)

